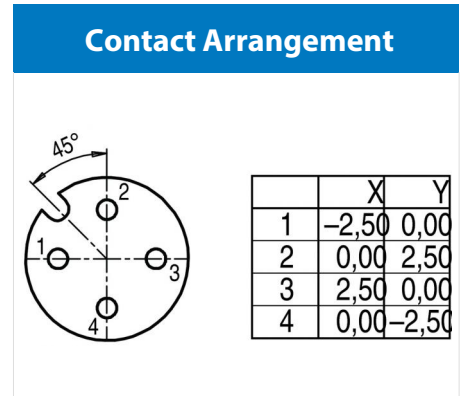
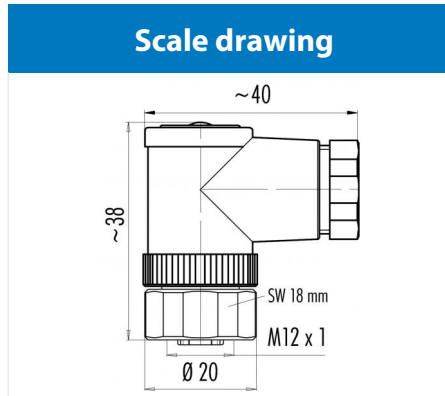


| | | | |
|---------|---|----------------|-------------------------|
| Product | Contacts: 4, Female angled connector, VA threaded lock, screw terminal connection, gold contact plating, UL approval | Area | M12-A Series 713 |
| Pole | 4 | Article number | 99 0430 92 04 |



You can find the item description and assembly instruction on the next page.

Technical data

Common values

| | |
|--------------------------|-------------------------|
| Connector Design | Female angled connector |
| Connector locking system | screw |
| Termination | Screwing |
| Wire gauge (mm) | 0.75 mm ² |
| Wire gauge (AWG) | 18 |
| Cable outlet | 4 - 6 mm |
| Upper temperature | 85 °C |
| Lower temperature | -40 °C |

Electrical values

| | |
|-----------------------|---------------------|
| Rated voltage | 250 V |
| Rated impulse voltage | 2500 V |
| Pollution degree | 3 |
| Overvoltage category | II |
| Material group | II |
| Rated current (40°C) | 4 A |
| Volume resistivity | ≤ 3 mΩ |
| EMV compliance | nicht geschirmt |
| Degree of protection | IP67 |
| Mechanical operation | > 100 mating cycles |

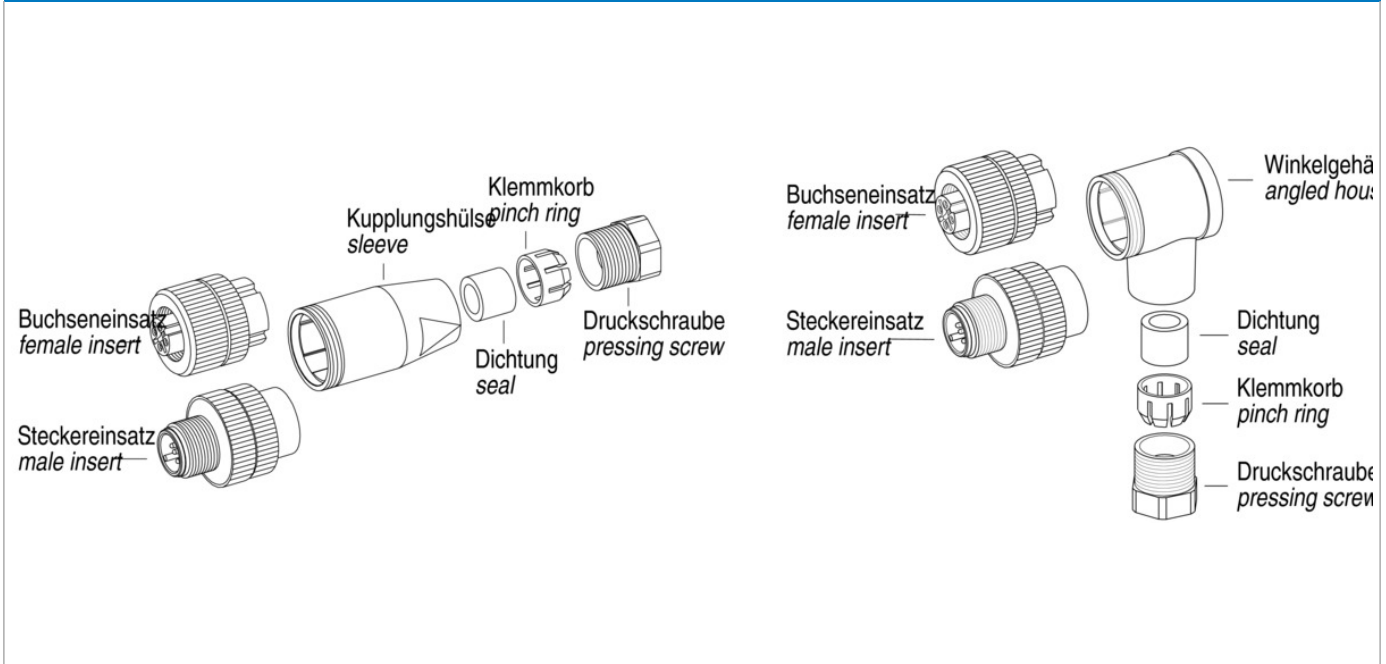
Material

| | |
|--------------------------|--------------|
| Material of contact | CuZn (Brass) |
| Contact plating | Au (Gold) |
| Material of contact body | PA |
| Material of housing | PBT |

Contacts: 4, Cable outlet: 4-6 mm, female angled connector, stainless steel threaded lock, screw terminal connection, gold contact plating, with UL approval

| | | | |
|---------|---|----------------|-------------------------|
| Product | Contacts: 4, Female angled connector, VA threaded lock, screw terminal connection, gold contact plating, UL approval | Area | M12-A Series 713 |
| Pole | 4 | Article number | 99 0430 92 04 |

Item description



Installation instructions / Mounting cutout

Öffnungswerkzeug für Käfigzugfederversion
opening tool for wire clamp connection

| | Schraubklemmversion screw connection | Lötversion solder version | Käfigzugfederversion wire clamp connection |
|--------------------------|---|------------------------------|---|
| Maß A/mm measure A/mm | 5 | 3,5 | 7 |