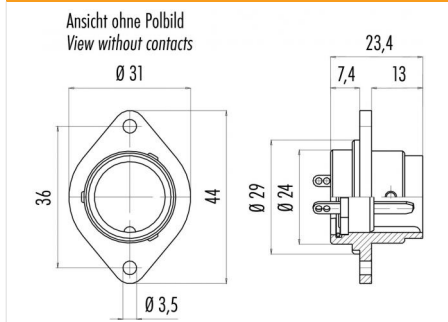


Product Pole	Contacts: 5, male panel mount connector 5	Area Article number	Bayonet IP40 Power Series 690 09 0061 00 05
--------------	---	---------------------	---

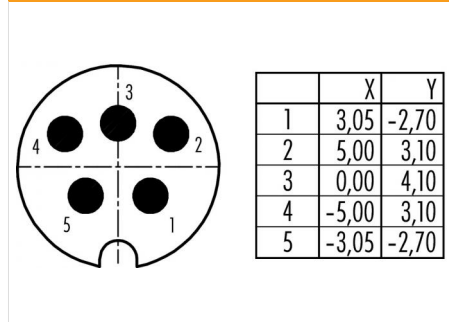
Illustration



Scale drawing



Contact Arrangement



You can find the item description and assembly instruction on the next page.

Technical data

Common values

Connector Design	Male panel mount connector
Connector locking system	Bayonet
Termination	Solder
Wire gauge (mm)	2.50 mm ²
Wire gauge (AWG)	14
Cable outlet	-
Upper temperature	85 °C
Lower temperature	-40 °C

Electrical values

Rated voltage	250 V
Rated impulse voltage	2500 V
Pollution degree	1
Overvoltage category	II
Material group	III
Rated current (40°C)	10 A
Volume resistivity	≤ 5 mΩ
EMV compliance	not shielded
Degree of protection	IP40
Mechanical operation	> 500 mating cycles

Material

Material of contact	CuZn (Brass)
Contact plating	Ag (Silver)
Material of contact body	PBT (UL 94 V-0)
Material of housing	PBT (UL 94 V-0)

Contacts: 5, male panel mount connector

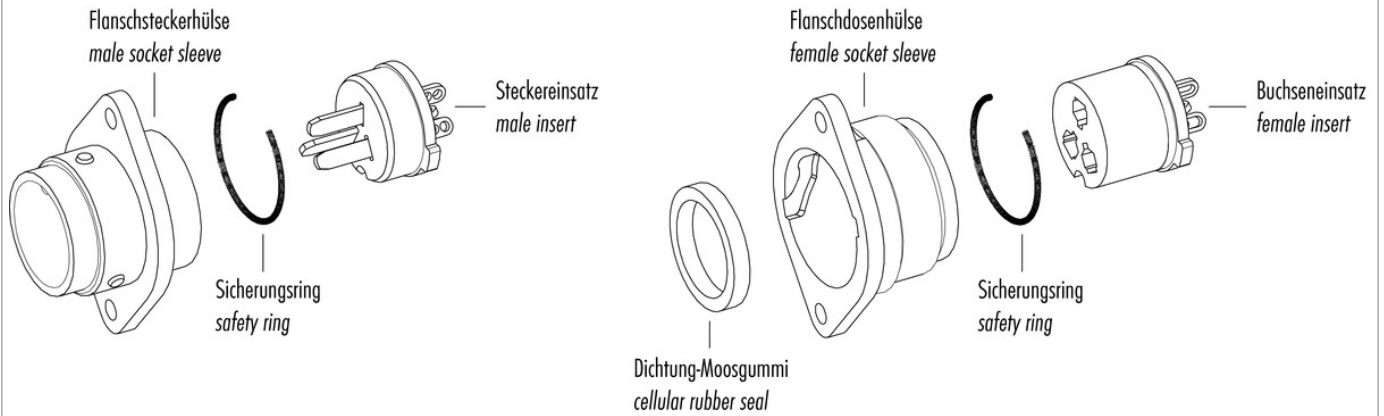
Product
Pole

Contacts: 5, male panel mount connector
5

Area
Article number

Bayonet IP40 Power Series 690
09 0061 00 05

Item description



Installation instructions / Mounting cutout

