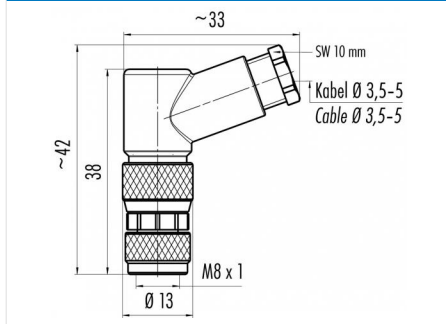


Product	<b>Contacts: 3, Female angled connector, screw terminal connection</b>	Area	<b>M8 Series 768</b>
Pole	<b>3</b>	Article number	<b>99 3400 110 03</b>

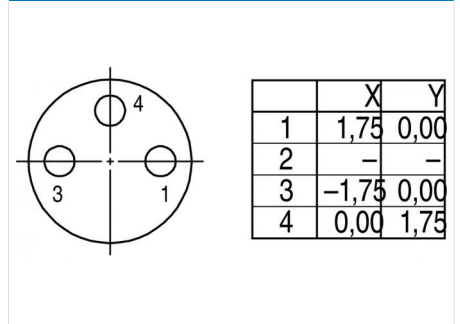
### Illustration



### Scale drawing



### Contact Arrangement



You can find the item description on the next page.

## Technical data

### Common values

Connector Design	Female angled connector
Connector locking system	screw
Termination	Screwing
Wire gauge (mm)	screw 0.14 - 0.5 mm <sup>2</sup>
Wire gauge (AWG)	26-20
Cable outlet	3.5 - 5 mm
Upper temperature	85 °C
Lower temperature	-40 °C

### Electrical values

Rated voltage	60 V
Rated impulse voltage	800 V
Pollution degree	3
Overvoltage category	II
Material group	III
Rated current (40°C)	4 A
Volume resistivity	≤ 3 mΩ
EMV compliance	-
Degree of protection	IP67
Mechanical operation	> 100 mating cycles

### Material

Material of contact	CuSn (Bronze)
Contact plating	Au (Gold)
Material of contact body	PA 12 (UL 94 HB)
Material of housing	PBT

Contacts: 3, Female angled connector, screw terminal connection

Product

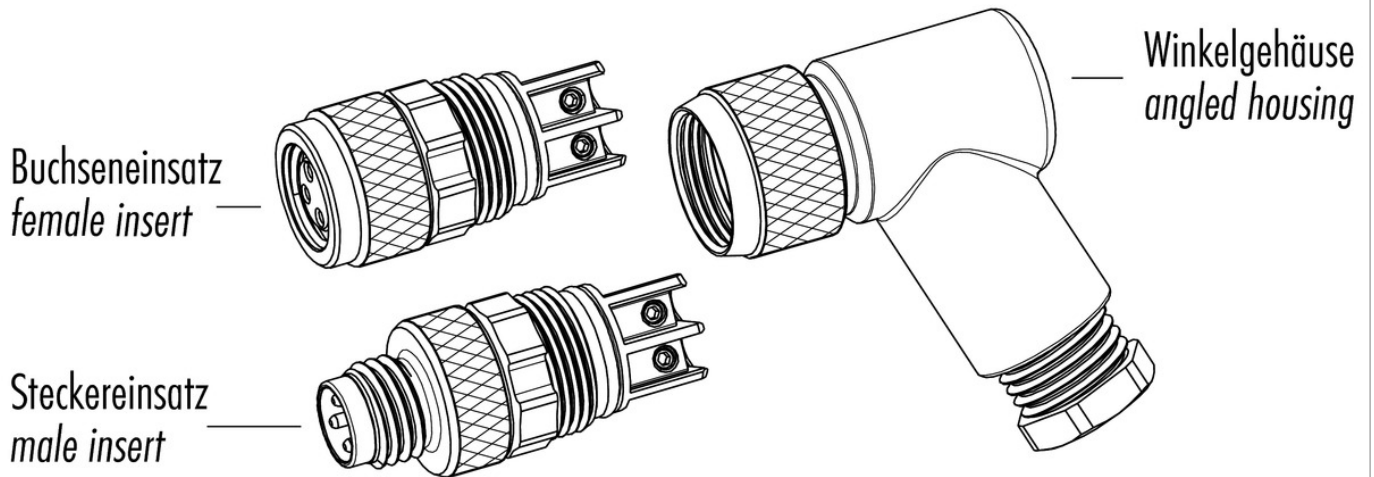
**Contacts: 3, Female angled connector,  
screw terminal connection**  
3

Area  
Article number

**M8 Series 768**  
**99 3400 110 03**

Pole

### Item description



Winkelgehäuse  
angled housing

Buchseinsatz  
female insert

Steckereinsatz  
male insert