
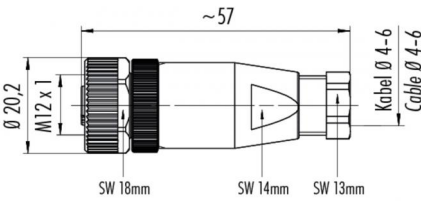
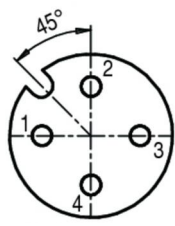


Product **Contacts 4: Female cable connector, crimp termination, cable outlet 6-8 mm**
 Area **M12-A Series 713**
 Article number **99 0530 12 04**

Illustration	Scale drawing	Contact Arrangement															
		 <table border="1" data-bbox="1276 616 1484 784"> <thead> <tr> <th></th> <th>X</th> <th>Y</th> </tr> </thead> <tbody> <tr> <td>1</td> <td>-2,50</td> <td>0,00</td> </tr> <tr> <td>2</td> <td>0,00</td> <td>2,50</td> </tr> <tr> <td>3</td> <td>2,50</td> <td>0,00</td> </tr> <tr> <td>4</td> <td>0,00</td> <td>-2,50</td> </tr> </tbody> </table>		X	Y	1	-2,50	0,00	2	0,00	2,50	3	2,50	0,00	4	0,00	-2,50
	X	Y															
1	-2,50	0,00															
2	0,00	2,50															
3	2,50	0,00															
4	0,00	-2,50															

You can find the item description and assembly instruction on the next page.

Technical data

General features

Connector Design	Cable socket
Connector locking system	bolted
Termination	crimp
Wire gauge (mm)	0,34-1,5 mm ²
Wire gauge (AWG)	22-16
Cable outlet	6 – 8 mm
Upper temperature	85 °C
Lower temperature	-40 °C

Electrical parameters

Rated voltage	250 V
Rated impulse voltage	2500 V
Pollution degree	3
Overvoltage category	II
Material group	III
Rated current (40°C)	4 A
Volume resistivity	≤ 3 mΩ
EMV compliance	not shielded
Degree of protection	IP67
Mechanical operation	> 50 Mating cycles

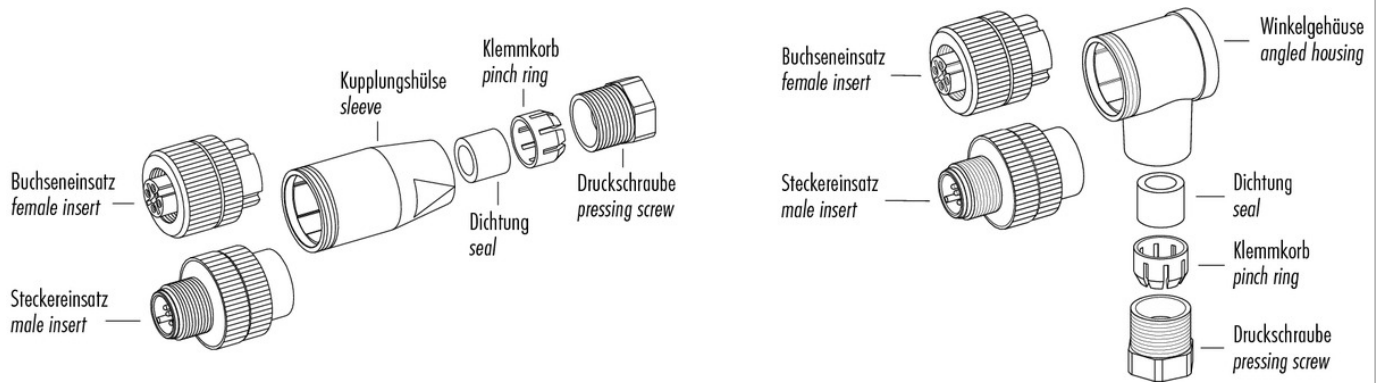
Material

Material of contact	CuZn (Messing)
Contact plating	Au (gold)
Material of contact body	PA

Product **Contacts 4: Female cable connector, crimp termination, cable outlet 6-8 mm**

Area **M12-A Series 713**
Article number **99 0530 12 04**

Item description



Installation instructions / Mounting cutout

