

Product sheet
Miniature connector

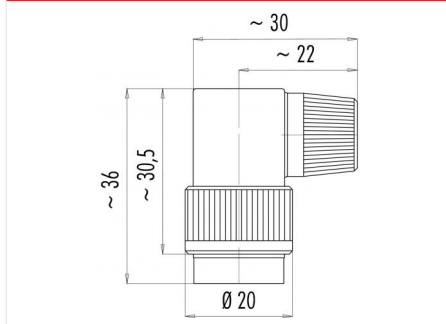


Product	Contacts: 6 DIN, female angled connector, cable outlet 6 - 8 mm	Area	Bayonet IP40 Series 678
Pole	6 DIN	Article number	99 0618 72 06

Illustration



Scale drawing



Contact Arrangement

	X	Y
1	-3,03	-1,75
2	-3,03	1,75
3	0,00	3,50
4	3,03	1,75
5	3,03	-1,75
6	0,00	0,00

You can find the item description on the next page.

Technical data

Common values

Connector Design	Female angled connector
Connector locking system	Bayonet
Termination	Solder
Wire gauge (mm)	0.75 mm ²
Wire gauge (AWG)	20
Cable outlet	6 - 8 mm
Upper temperature	85 °C
Lower temperature	-40 °C

Electrical values

Rated voltage	250 V
Rated impulse voltage	1500 V
Pollution degree	1
Overvoltage category	I
Material group	III
Rated current (40°C)	6 A
Volume resistivity	≤ 5 mΩ
EMV compliance	not shielded
Degree of protection	IP40
Mechanical operation	> 500 mating cycles

Material

Material of contact	CuSn (Bronze)
Contact plating	Ag (Silver)
Material of contact body	PBT (UL 94 V-0)
Material of housing	PA (UL 94 V-0)

Contacts: 6 DIN, female angled connector, cable outlet 6 - 8 mm

Product	Contacts: 6 DIN, female angled connector, cable outlet 6 - 8 mm	Area	Bayonet IP40 Series 678
Pole	6 DIN	Article number	99 0618 72 06

Item description

