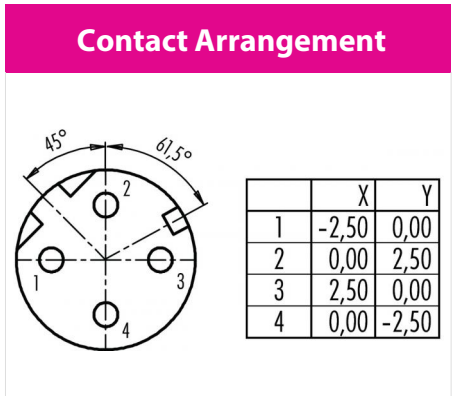
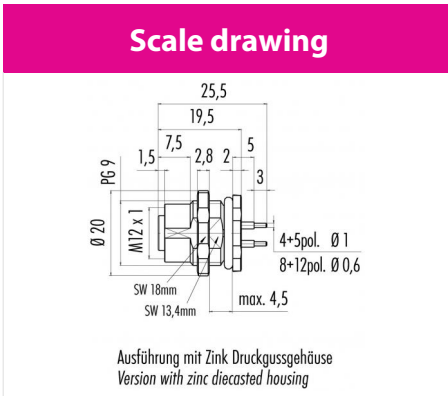


Product	Contacts: 4, Female panel mount connector, dip-solder, screwed from front, PG 9	Area	M12-D, M12-X Series 825/876 D-coding
Pole	4	Article number	09 3732 90 04



You can find the assembly instruction on the next page.

Technical data

Common values

Connector Design	Female panel mount connector
Connector locking system	screw
Termination	dip-solder
Upper temperature	85 °C
Lower temperature	-40 °C

Electrical values

Rated voltage	250 V
Rated impulse voltage	2500 V
Pollution degree	3
Overvoltage category	II
Material group	II
Volume resistivity	≤ 3 mΩ
EMV compliance	not shielded
Degree of protection	IP67
Mechanical operation	> 100 mating cycles

Material

Material of contact	CuSn (Bronze)
Contact plating	Au (Gold)
Material of contact body	PA
Material of housing	Brass, nickel-plated zinc die casting

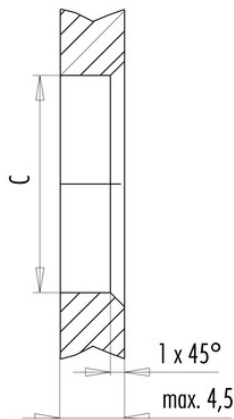
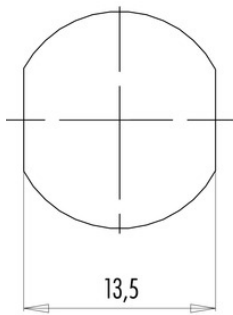
fixing thread: PG 9, Contacts: 4, Female panel mount connector, screwed from front, dip-solder

Product	Contacts: 4, Female panel mount connector, dip-solder, screwed from front, PG 9	Area	M12-D, M12-X Series 825/876 D-coding
Pole	4	Article number	09 3732 90 04

Installation instructions / Mounting cutout

Mit Fläche als Verdrehschutz
With flats as anti-rotation device

Mit Durchgangsbohrung
With bore hole



	C
PG 9	15,3
M16x1,5	16,1

Anzugsdrehmoment/Tightening moment

Metallgehäuse/Metal housing 6,25 Nm
Kunststoffgehäuse/Plastic housing 3,75 Nm