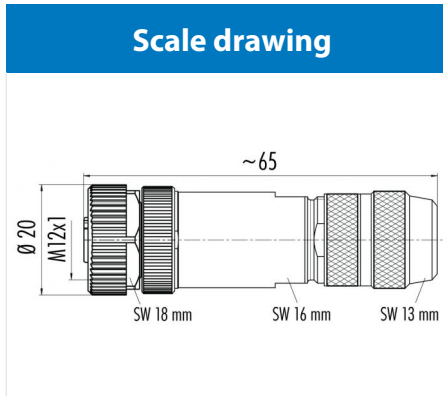
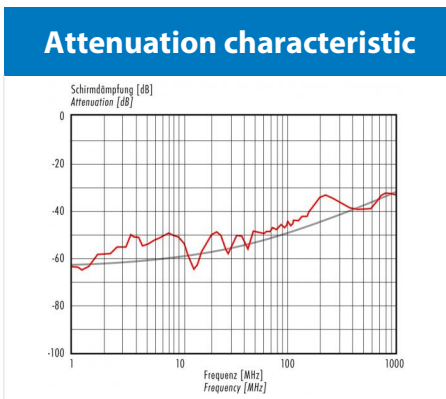


|         |  |                |                         |
|---------|--|----------------|-------------------------|
| Product | <b>Contacts 8: Female cable connector, shieldable, screw terminal connection, iris type spring</b> | Area           | <b>M12-A Series 713</b> |
| Pole    | <b>8</b>   | Article number | <b>99 1488 814 08</b>   |



**Contact Arrangement**

|   | X     | Y     |
|---|-------|-------|
| 1 | -2,69 | 0,57  |
| 2 | -0,57 | 2,69  |
| 3 | 1,66  | 2,20  |
| 4 | 2,75  | 0,19  |
| 5 | 1,94  | -1,94 |
| 6 | -0,19 | -2,75 |
| 7 | -2,20 | -1,66 |
| 8 | 0,00  | 0,00  |



You can find the item description and assembly instruction on the next page.

## Technical data

### Common values

|                          |                        |
|--------------------------|------------------------|
| Connector Design         | Female cable connector |
| Connector locking system | screw                  |
| Termination              | Screwing               |
| Wire gauge (mm)          | 0.50 mm <sup>2</sup>   |
| Wire gauge (AWG)         | 20                     |
| Cable outlet             | 5 - 8 mm               |
| Upper temperature        | 85 °C                  |
| Lower temperature        | -40 °C                 |

### Electrical values

|                       |                     |
|-----------------------|---------------------|
| Rated voltage         | 60 V                |
| Rated impulse voltage | 800 V               |
| Pollution degree      | 3                   |
| Overvoltage category  | II                  |
| Material group        | II                  |
| Rated current (40°C)  | 2 A                 |
| Volume resistivity    | ≤ 3 mΩ              |
| EMV compliance        | not shielded        |
| Degree of protection  | IP67                |
| Mechanical operation  | > 100 mating cycles |

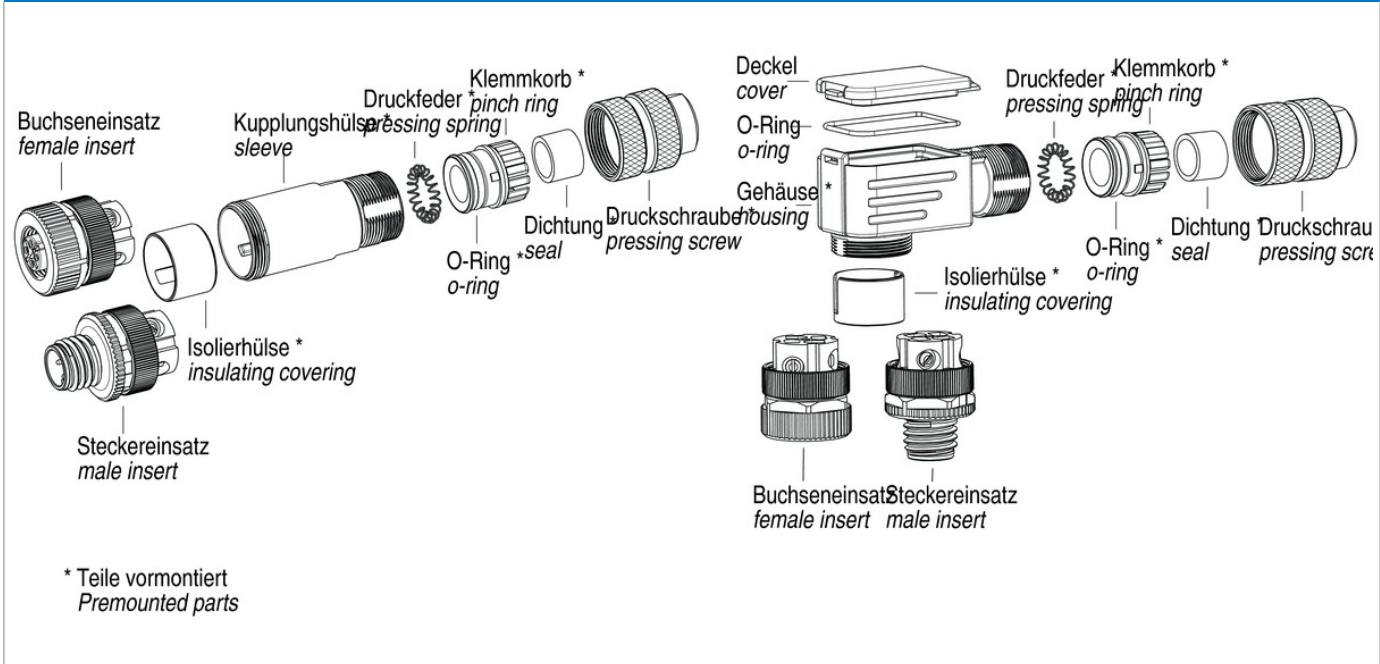
### Material

|                          |                                |
|--------------------------|--------------------------------|
| Material of contact      | CuZn (Brass)                   |
| Contact plating          | Au (Gold)                      |
| Material of contact body | PA                             |
| Material of housing      | Nickel-plated zinc die-casting |

Contacts 8: cable outlet: 5-8 mm, female cable connector, shieldable, screw terminal connection, iris type spring, with die-cast threaded ring

|         |  |                |                         |
|---------|--|----------------|-------------------------|
| Product | <b>Contacts 8: Female cable connector, shieldable, screw terminal connection, iris type spring</b> | Area           | <b>M12-A Series 713</b> |
| Pole    | <b>8</b>   | Article number | <b>99 1488 814 08</b>   |

### Item description



### Installation instructions / Mounting cutout

