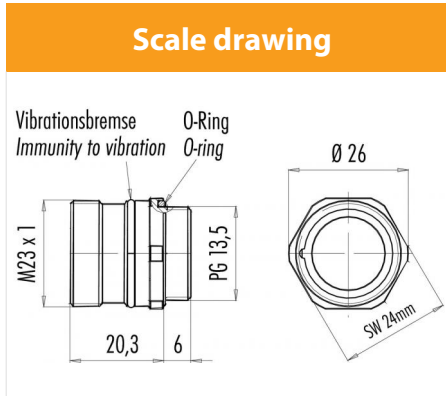


Product sheet

Output connector



| | | | |
|---------|---|----------------|-----------------------------|
| Product | Contacts: 12, Female panel mount connector, central lock, PG 13.5, right-turning (the pin and socket insert counter-rotate in right and left turning models) | Area | M23 Power Series 623 |
| Pole | 12 | Article number | 99 4608 20 12 |



Contact Arrangement

| | X | Y |
|----|-------|-------|
| 1 | -3,60 | 4,30 |
| 2 | -5,55 | 1,00 |
| 3 | -4,90 | -2,80 |
| 4 | -1,90 | -5,30 |
| 5 | 1,90 | -5,30 |
| 6 | 4,90 | -2,80 |
| 7 | 5,55 | 1,00 |
| 8 | 3,60 | 4,30 |
| 9 | 0,00 | 4,50 |
| 10 | -1,90 | 1,00 |
| 11 | 0,00 | -2,20 |
| 12 | 1,90 | 1,00 |

Technical data

Common values

| | |
|--------------------------|------------------------------|
| Connector Design | Female panel mount connector |
| Connector locking system | screw |
| Termination | Solder |
| Wire gauge (mm) | 1.00 mm ² |
| Wire gauge (AWG) | 18 |
| Cable outlet | - |
| Upper temperature | 125 °C |
| Lower temperature | -20 °C |

Electrical values

| | |
|-----------------------|--------------------|
| Rated voltage | 150 V |
| Rated impulse voltage | 1500 V |
| Pollution degree | 3 |
| Overvoltage category | II |
| Material group | III |
| Rated current (40°C) | 8 A |
| Volume resistivity | ≤ 3 mΩ |
| EMV compliance | not shielded |
| Degree of protection | IP67 |
| Mechanical operation | > 50 mating cycles |

Material

| | |
|--------------------------|--------------------------------|
| Material of contact | CuSn (Bronze) |
| Contact plating | Au (Gold) |
| Material of contact body | PBT/PA66 |
| Material of housing | Nickel-plated zinc die casting |

Contacts: 12, Female panel mount connector, central lock, PG 13.5, right-turning