

Product **Contacts: 4, Female panel mount connector with single wires, 0.25 mm<sup>2</sup>, PG 9, with UL approval**

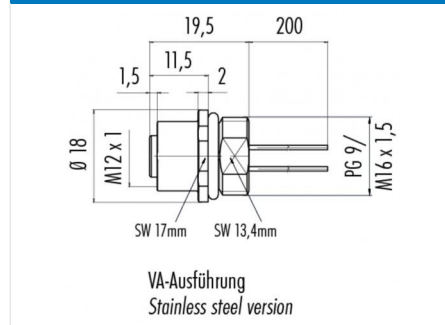
Area **M12-A Series 713/763**

Article number **76 2132 0111 00004-0200**

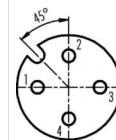
### Illustration



### Scale drawing



### Contact Arrangement



	X	Y
1	-2,50	0,00
2	0,00	2,50
3	2,50	0,00
4	0,00	-2,50

- 1 braun/brown
- 2 weiß/white
- 3 blau/blue
- 4 schwarz/black

Geschirmte Versionen: Schirm auf Gehäuse  
Shielded versions: shield on housing

You can find the assembly instruction on the next page.

## Technical data

### General features

Connector Design	female panel mount connector
Connector locking system	bolted
Termination	Strands
Wire gauge (mm)	0,25 mm <sup>2</sup>
Wire gauge (AWG)	24
Upper temperature	85 °C
Lower temperature	-40 °C

### Cable data

Approval 1	UL
------------	----

### Electrical parameters

Rated voltage	250 V
Rated impulse voltage	2500 V
Pollution degree	3
Overvoltage category	II
Material group	II
Rated current (40°C)	4 A
Volume resistivity	≤ 3 mΩ
EMV compliance	not shielded
Degree of protection	IP68
Mechanical operation	> 100 Mating cycles

### Material

Material of contact	CuSn (Bronze)
Contact plating	Au (gold)
Material of contact body	PA

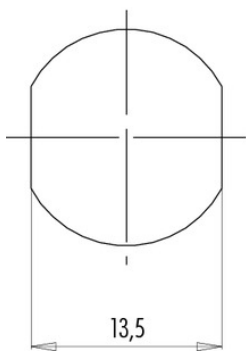
Product **Contacts: 4, Female panel mount connector with single wires, 0.25 mm<sup>2</sup>, PG 9, with UL approval**

Area **M12-A Series 713/763**  
Article number **76 2132 0111 00004-0200**

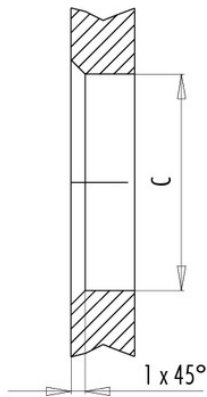
**Installation instructions / Mounting cutout**

Mit Fläche als Verdrehschutz  
With flats as anti-rotation device

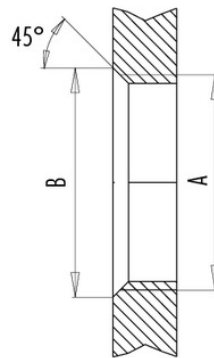
PG 9/M16 x 1,5



Mit Durchgangsbohrung  
With bore hole



Mit Gewinde, einschraubbar  
With thread to screw in



alternativ/alternativ

	A	B	C
PG 9	PG 9	16,2	15,3
PG 13,5	PG 13,5	21,5	20,5
M16x1,5	M16x1,5	17,0	16,1
M20x1,5	M20x1,5	21,0	20,1

Anzugsdrehmoment/Tightening moment

Metallgehäuse/Metal housing 6,25 Nm  
Kunststoffgehäuse/Plastic housing 3,75 Nm