
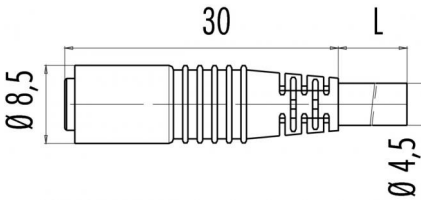
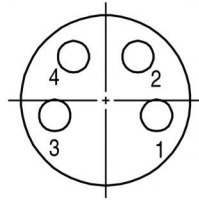


Product	Contacts: 4, Female cable connector, overmoulded, snap version, 8mm	Area	M8 Series 718
Pole	4	Article number	79 3386 52 04

Illustration	Scale drawing	Contact Arrangement								
		 <table border="0"> <tr> <td>1</td> <td>braun/brown</td> </tr> <tr> <td>2</td> <td>weiß/white</td> </tr> <tr> <td>3</td> <td>blau/blue</td> </tr> <tr> <td>4</td> <td>schwarz/black</td> </tr> </table>	1	braun/brown	2	weiß/white	3	blau/blue	4	schwarz/black
1	braun/brown									
2	weiß/white									
3	blau/blue									
4	schwarz/black									

Technical data

Common values

Connector Design	Female cable connector
Connector locking system	Snap
Termination	crimp, injection-moulded cable
Wire gauge (mm)	0.25 mm ²
Wire gauge (AWG)	24
Cable outlet	-
Upper temperature	70 °C
Lower temperature	-25 °C

Cable data

material housing	PUR
Insulation single lead	PVC
Single lead structure	32 x 0.1
Cable sheath Ø	4.5
Conductor resistance	79.9Ω/Km
Temperature range cable movable c from	-5
Temperature range cable movable c to	70
Temperature range cable fixed c from	-15
Temperature range cable fixed c to	70
Bending radius cable fixed	min. 5 x D
Bending radius cable movable	min. 10 x D

Electrical values

Rated voltage	30 V
Rated impulse voltage	800 V
Pollution degree	3
Overvoltage category	II
Material group	II
Rated current (40°C)	4 A
Volume resistivity	≤ 3 mΩ
EMV compliance	not shielded
Degree of protection	IP65
Mechanical operation	> 50 mating cycles

Material

Material of contact	CuZn (Brass)
Contact plating	Au (Gold)
Material of contact body	PUR
Material of housing	PUR

Contacts: 4, Cable length 2 m, cable: 4 x 0.25, PUR, female cable connector, overmoulded, snap version, 8mm