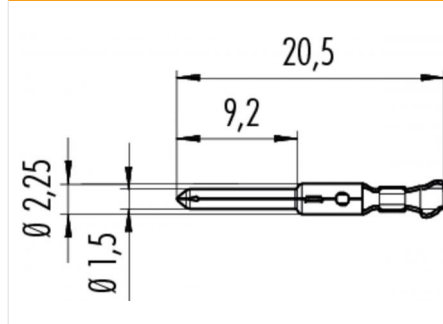


Product	Series 423/723/425, 581/680/682 - Pin contact (VPE 50 each) Each: Contact Ø 1.5 mm, insulation Ø 1.0 - 2.0 mm, cross-section: 0.35 - 0.5 mm ² ; Conductor cross-section 0.35 mm ² (AWG 22): Crimping dimensions (guide value): 0.93-1.1 mm, crimping extraction f
Article number	61 0795 085 00

Illustration



Scale drawing



Matching products

- Cable plug connector with cable clamp, CRIMP connection, shieldable, cable outlet 4 - 6 mm
- Cable plug connector with cable clamp, CRIMP connection, shieldable, cable outlet 6 - 8 mm
- Male panel mount connector, crimp
- Male panel mount connector, crimp, screwed from front
- Cable plug connector with cable clamp, CRIMP connection, shieldable, PG 7, cable outlet 4 - 6 mm
- Cable plug connector with cable clamp, CRIMP connection, shieldable, PG 9, cable outlet 6 - 8 mm
- Cable plug connector, short version, CRIMP connection, cable outlet 4-8 mm
- Male angled connector, CRIMP connection, shieldable, PG 7, cable outlet 4-6 mm, with UL approval
- Male angled connector, CRIMP connection, shieldable, PG 9, cable outlet 6-8 mm, with UL approval
- Male panel mount connector, crimp
- Male panel mount connector, crimp, screwed from front
- male cable connector
- female cable connector
- male panel mount connector
- female panel mount connector