
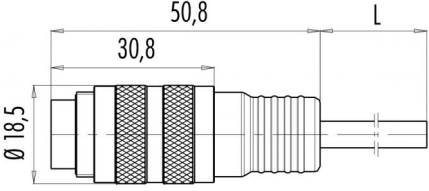
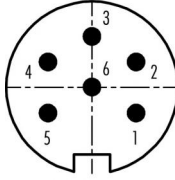


# Product sheet

## Miniature connector



Product	<b>Contacts: 6 DIN, Cable plug connector, shielded</b>	Area	<b>M16 IP67 Series 425</b>
Pole	<b>6 DIN</b>	Article number	<b>79 6117 20 06</b>

Illustration	Scale drawing	Contact Arrangement												
		 <table style="margin-left: auto; margin-right: auto;"> <tr><td>1</td><td>weiß/white</td></tr> <tr><td>2</td><td>braun/brown</td></tr> <tr><td>3</td><td>blau/blue</td></tr> <tr><td>4</td><td>schwarz/black</td></tr> <tr><td>5</td><td>grau/grey</td></tr> <tr><td>6</td><td>grün/green</td></tr> </table>	1	weiß/white	2	braun/brown	3	blau/blue	4	schwarz/black	5	grau/grey	6	grün/green
1	weiß/white													
2	braun/brown													
3	blau/blue													
4	schwarz/black													
5	grau/grey													
6	grün/green													

## Technical data

### Common values

Connector Design	Cable plug connector
Connector locking system	screw
Termination	overmoulded on cable
Wire gauge (mm)	0.25 mm <sup>2</sup>
Wire gauge (AWG)	24
Upper temperature	70 °C
Lower temperature	-25 °C

### Cable data

material housing	PUR
Insulation single lead	PVC
Single lead structure	14 x 0.15 mm
Cable sheath Ø	5.3
Temperature range cable movable c from	-5
Temperature range cable movable c to	70
Temperature range cable fixed c from	-20
Temperature range cable fixed c to	70
Bending radius cable fixed	53 mm
Bending radius cable movable	80 mm

### Electrical values

Rated voltage	250 V
Rated impulse voltage	1500 V
Pollution degree	1
Overvoltage category	I
Material group	III
Rated current (40°C)	3 A
Volume resistivity	≤ 3 mΩ
EMV compliance	shielded
Degree of protection	IP67
Mechanical operation	> 500 mating cycles

### Material

Material of contact	CuZn (Brass)
Contact plating	Au (Gold)
Material of contact body	PBT (UL 94 V-0)
Material of housing	PUR

Contacts: 6 DIN, Cable plug connector, shielded, cable 6 x 0.25 mm<sup>2</sup>