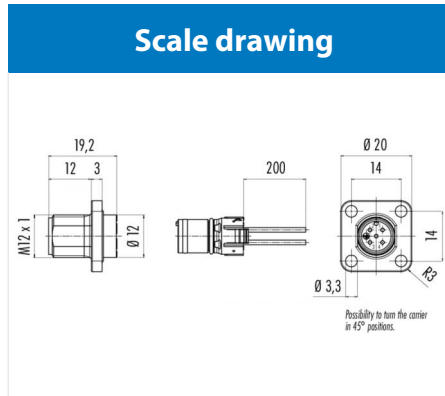


Product description	M12-A square male panel mount connector, Contacts: 8, not shielded, single wires, IP67, UL, square
Area	M12-A series 713
Order number	99 3483 100 08



Contact arrangement

	X	Y
1	2,69	0,57
2	0,57	2,69
3	-1,66	2,20
4	-2,75	0,19
5	-1,94	-1,94
6	0,19	-2,74
7	2,20	-1,65
8	0,00	0,00

1 white
2 brown
3 green
4 yellow
5 grey
6 pink
7 blue
8 red

Shielded versions: shield on housing or pin 8

You can find the assembly instructions on the next page.

Technical data

General values

Connector design	square male panel mount connector
Connector locking system	screw
Termination	single wires
Wire gauge (mm)	0.25 mm ²
Wire gauge (AWG)	24
Upper limit temperature	85 °C
Lower limit temperature	-40 °C
Customs tariff number	85369010

Electrical values

Rated current (40 °C)	2 A
Rated voltage	30 V
Rated impulse voltage	800 V
Pollution degree	3
Overvoltage category	II
Insulating material group	II
Insulation resistance	> 10 ⁸ Ω
EMC compliance	not shielded
Degree of protection	IP67
Mechanical operation	> 100 Mating cycles

Cable data

Approval 1	UL
------------	----

Material

Contact material	CuZn (brass)
Contact plating	Au (gold)
Contact body material	PA
Housing material	Brass nickel-plated, Zinc die-cast nickel-plated

Product description **M12-A square male panel mount connector, Contacts: 8, not shielded, single wires, IP67, UL, square**

Area **M12-A series 713**
Order number **99 3483 100 08**

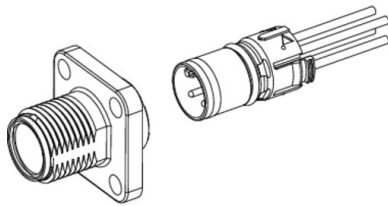
Assembly instructions / Panel cut-out

Montage:

1. Kontakteinsatz in gewünschter Einbaulage in das Gehäuse einführen, bis er sicher einrastet.

Demontage:

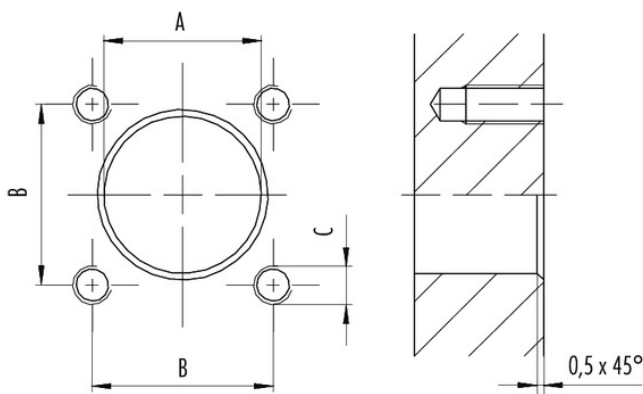
1. Rasthebel drücken.
2. Gleichzeitig mit einem geeigneten Gegenstand, von der Steckseite aus, den Kontaktkörper herausdrücken, ohne die Kontakte zu beschädigen.



Hinweis:

Bei der Demontage bitte nicht an den Adern ziehen!

Assembly instructions / Panel cut-out



Gehäuse/housing	A (mm)	B (mm)	C (mm)
Metall/metal	12,2	14,0	M3 (4x)
Kunststoff/plastic	20,0	20,0	M3 (4x)

Voraussetzungen für Schutzart IP67:

1. Metallgehäuse: Verwendung von Dichtung, Best.-Nr. 16 0959 000
2. Kunststoffgehäuse: Verwendung von Dichtung, Best.-Nr. 16 8091 000
3. Gewinde M3 (4x) als Gewindefacklöcher oder Schraubenköpfe abgedichtet

Requirements for Degree of protection IP67:

1. Metal housing: Use of sealing, Ordering-No. 16 0959 000
2. Plastic housing: Use of sealing, Ordering-No. 16 8091 000
3. M3 thread (4x) sealed as a threaded blind holes or screw heads

Product description	M12-A square male panel mount connector, Contacts: 8, not shielded, single wires, IP67, UL, square
Area	M12-A series 713
Order number	99 3483 100 08

Security notices

The connectors are designed for use in plant, control system and electrical equipment. The end user is responsible for checking whether the connectors are suitable for use in other applications.