
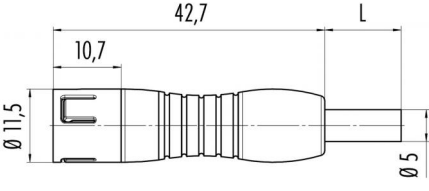
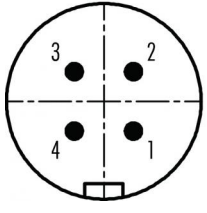


Product sheet

Subminiature connector



Product	Contacts: 4, cable plug connector, injection-moulded cable	Area	Snap-in IP67 Series 620
Pole	4	Article number	79 9241 020 04

Illustration	Scale drawing	Contact Arrangement								
		 <table style="margin-left: 20px;"> <tr><td>1</td><td>braun/brown</td></tr> <tr><td>2</td><td>weiß/white</td></tr> <tr><td>3</td><td>blau/blue</td></tr> <tr><td>4</td><td>schwarz/black</td></tr> </table>	1	braun/brown	2	weiß/white	3	blau/blue	4	schwarz/black
1	braun/brown									
2	weiß/white									
3	blau/blue									
4	schwarz/black									

You can find the item description on the next page.

Technical data

Common values

Connector Design	Cable plug connector
Connector locking system	Snap
Termination	injection-moulded cable
Wire gauge (mm)	0.25 mm ²
Wire gauge (AWG)	24
Cable outlet	-
Upper temperature	70 °C
Lower temperature	-40 °C

Cable data

material housing	PVC
Insulation single lead	PVC
Single lead structure	32 x 0.1 mm
Cable sheath Ø	4.5
Conductor resistance	72Ω/Km (20°C)
Temperature range cable movable c from	-5
Temperature range cable movable c to	70
Temperature range cable fixed c from	-40
Temperature range cable fixed c to	70
Bending radius cable fixed	22
Bending radius cable movable	45
Approval	-

Electrical values

Rated voltage	125 V
Rated impulse voltage	1500 V
Pollution degree	2
Overvoltage category	II
Material group	II
Rated current (40°C)	2.5 A
Volume resistivity	≤ 3 mΩ
EMV compliance	not shieldable
Degree of protection	IP67
Mechanical operation	> 500 mating cycles

Material

Material of contact	CuZn (Brass)
Contact plating	Au (Gold)
Material of contact body	PA (UL 94 V-0)
Material of housing	PUR

Contacts: 4, cable plug connector, injection-moulded cable

Product
Pole

**Contacts: 4, cable plug connector,
injection-moulded cable**
4

Area
Article number

Snap-in IP67 Series 620
79 9241 020 04

Item description

