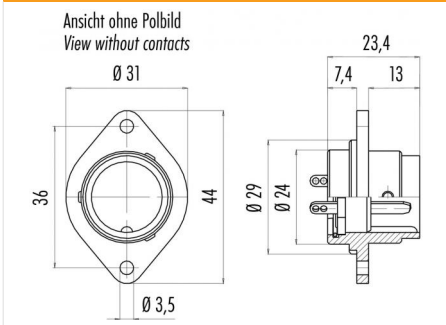


Product Pole	<b>Contacts: 3, male panel mount connector</b> 3	Area Article number	<b>Bayonet IP40 Power Series 690</b> 09 0057 00 03
--------------	---	---------------------	---

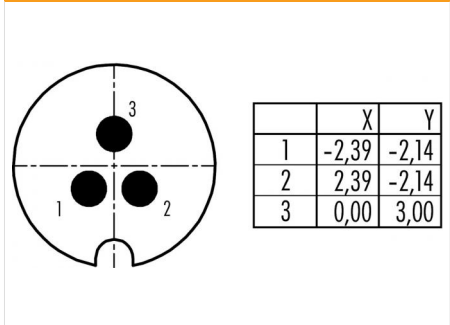
**Illustration**



**Scale drawing**



**Contact Arrangement**



**You can find the item description and assembly instruction on the next page.**

**Technical data**

**Common values**

Connector Design	Male panel mount connector
Connector locking system	Bayonet
Termination	Solder
Wire gauge (mm)	2.50 mm <sup>2</sup>
Wire gauge (AWG)	14
Cable outlet	-
Upper temperature	85 °C
Lower temperature	-40 °C

**Electrical values**

Rated voltage	250 V
Rated impulse voltage	2500 V
Pollution degree	1
Overvoltage category	II
Material group	III
Rated current (40°C)	10 A
Volume resistivity	≤ 5 mΩ
EMV compliance	not shielded
Degree of protection	IP40
Mechanical operation	> 500 mating cycles

**Material**

Material of contact	CuZn (Brass)
Contact plating	Ag (Silver)
Material of contact body	PBT (UL 94 V-0)
Material of housing	PBT (UL 94 V-0)

Contacts: 3, male panel mount connector

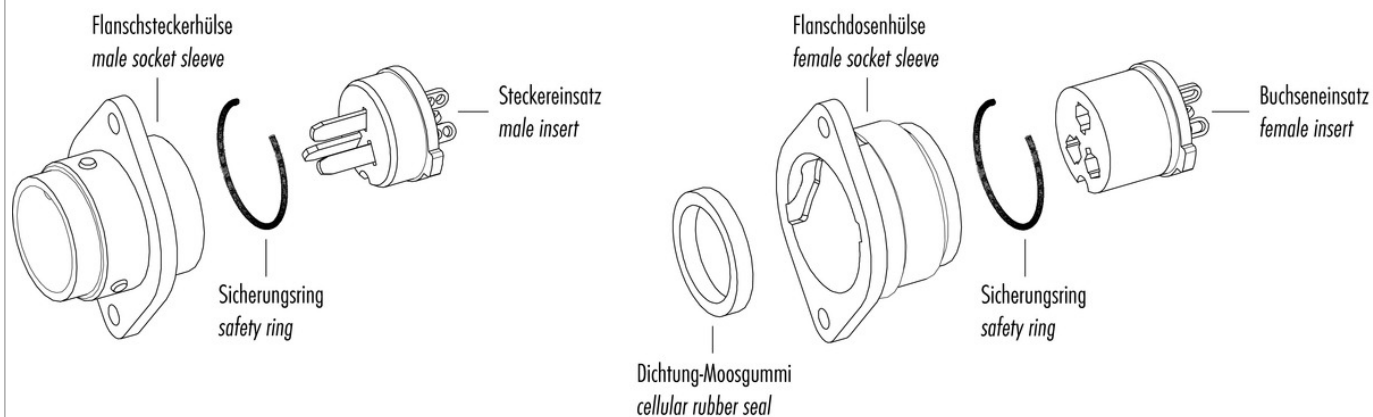
Product  
Pole

Contacts: 3, male panel mount connector  
3

Area  
Article number

Bayonet IP40 Power Series 690  
09 0057 00 03

### Item description



### Installation instructions / Mounting cutout

