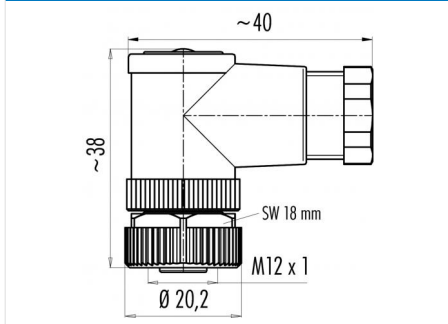


Product	<b>Contacts 4: Female angled connector with wire clamp connection</b>	Area	<b>M12-A Series 713</b>
Pole	<b>4</b>	Article number	<b>99 0524 24 04</b>

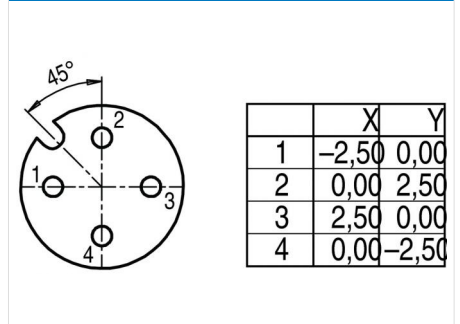
### Illustration



### Scale drawing



### Contact Arrangement



You can find the item description and assembly instruction on the next page.

## Technical data

### Common values

Connector Design	Female angled connector
Connector locking system	screw
Termination	Wire tension spring
Wire gauge (mm)	0.50 mm <sup>2</sup>
Wire gauge (AWG)	20
Cable outlet	4 - 6 mm
Upper temperature	85 °C
Lower temperature	-40 °C

### Electrical values

Rated voltage	250 V
Rated impulse voltage	2500 V
Pollution degree	3
Overvoltage category	II
Material group	III
Rated current (40°C)	4 A
Volume resistivity	≤ 3 mΩ
EMV compliance	nicht geschirmt
Degree of protection	IP67
Mechanical operation	> 100 mating cycles

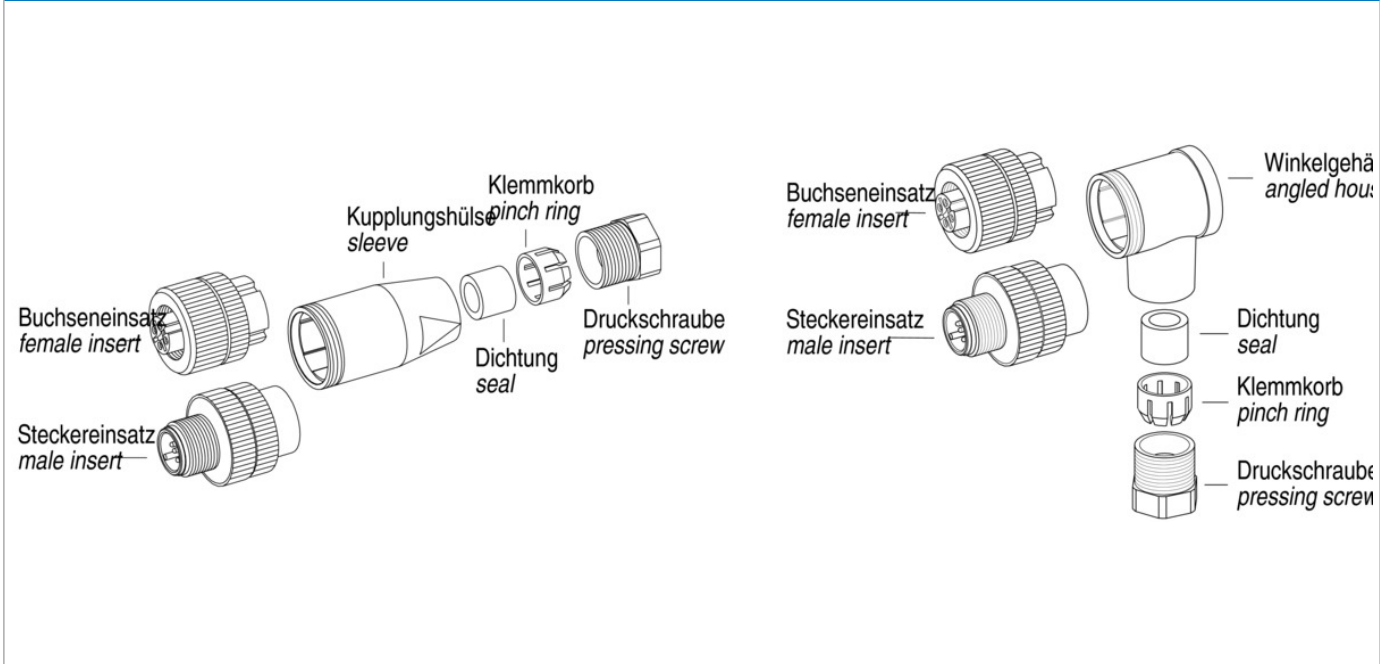
### Material

Material of contact	CuSn (Bronze)
Contact plating	Au (Gold)
Material of contact body	PA
Material of housing	Nickel-plated zinc die casting, PBT

Contacts 4: cable outlet: 4-6 mm, female angled connector with wire clamp connection

Product	<b>Contacts 4: Female angled connector with wire clamp connection</b>	Area	<b>M12-A Series 713</b>
Pole	<b>4</b>	Article number	<b>99 0524 24 04</b>

**Item description**



**Installation instructions / Mounting cutout**

	Schraubklemmversion screw connection	Lötversion solder version	Käfigzugfederversion wire clamp connection
Maß A/mm measure A/mm	<b>5</b>	<b>3,5</b>	<b>7</b>