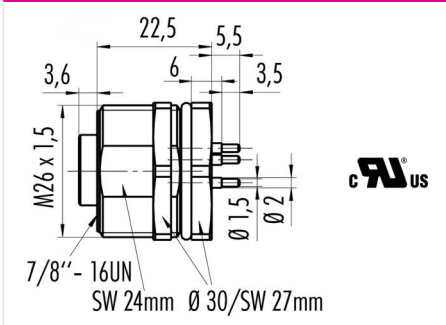


Product	Contacts: 4+PE, Female panel mount connector, screwed from front, dip-solder contact, with UL approval	Area	7/8" Series 820/870
Pole	4+PE	Article number	09 2450 180 05

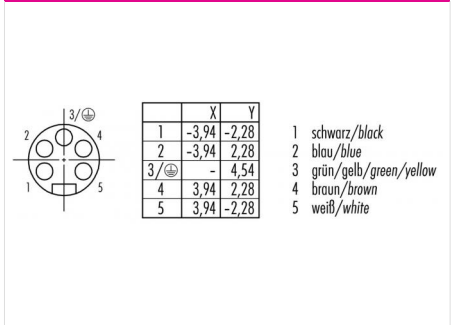
Illustration



Scale drawing



Contact Arrangement



You can find the assembly instruction on the next page.

Technical data

Common values

Connector Design	Female panel mount connector
Connector locking system	Screws 7/8" - 16 UN
Termination	tauchlöten
Wire gauge (mm)	-
Wire gauge (AWG)	-
Upper temperature	85 °C
Lower temperature	-25 °C

Electrical values

Rated voltage	300 V
Rated impulse voltage	2500 V
Pollution degree	3
Overvoltage category	III
Material group	III
Rated current (40°C)	8 A
Volume resistivity	≤ 5 mΩ
Degree of protection	IP67
Mechanical operation	> 100 mating cycles

Cable data

material housing	-
Insulation single lead	-
Single lead structure	-
Conductor resistance	-
Bending radius cable fixed	-
Bending radius cable movable	-
Approval	UL

Material

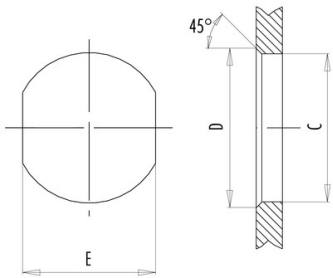
Material of contact	CuZn (Brass)
Contact plating	Au (Gold)
Material of contact body	PUR (UL 94 HB)
Material of housing	Brass, nickel-plated zinc die casting

Contacts: 4+PE, Female panel mount connector, screwed from front, dip-solder contact, with UL approval

Product	Contacts: 4+PE, Female panel mount connector, screwed from front, dip-solder contact, with UL approval	Area	7/8" Series 820/870
Pole	4+PE	Article number	09 2450 180 05

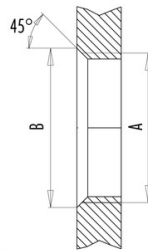
Installation instructions / Mounting cutout

Mit Durchgangsbohrung/With bore hole



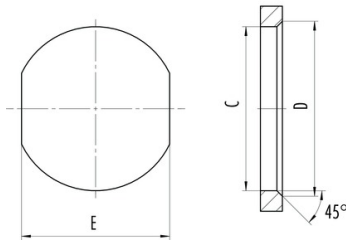
alternativ/alternativ

Mit Gewinde, einschraubbar/With thread to screw in



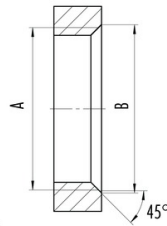
	A	B	C	D	E
PG11	PG11	20,2	18,7	20,2	17,0
PG13,5	PG13,5	22,0	20,5	22,0	18,8
M20x1,5	M20x1,5	21,6	20,1	21,6	17,8

Mit Durchgangsbohrung/With bore hole
von vorn verschraubbar/front fastened



alternativ/alternativ

Mit Gewinde, einschraubbar/With thread to screw in



A	B	C	D	E
7/8-16UN-20	23	22,4	23,9	20,2
M26x1,5	27,3	26,2	27,7	24,2