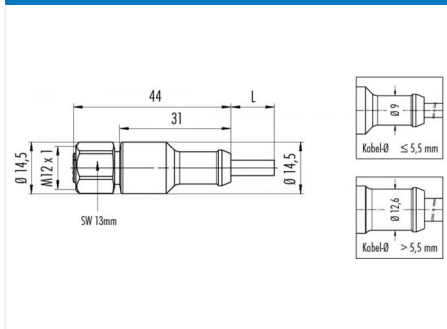


Product description	M12-A female cable connector, Contacts: 12, not shielded, moulded on cable, IP69K, Ecolab, FDA compliant, Standard cable, PP grey, 12 x 0.25 mm²
Area	M12-A series 763
Order number	77 3730 0000 40912-0500

Illustration



Scale drawing



Contact arrangement

	X	Y
1	-2,80	0,78
2	-0,78	2,80
3	1,09	2,69
4	2,51	1,46
5	2,88	-0,37
6	2,05	-2,05
7	0,37	-2,88
8	-1,46	-2,51
9	-2,69	-1,09
10	-0,78	0,78
11	1,06	0,29
12	-0,29	-1,06

- 1 braun/brown
- 2 blau/blue
- 3 weiß/white
- 4 grün/green
- 5 rosa/pink
- 6 gelb/yellow
- 7 schwarz/black
- 8 grau/grey
- 9 rot/red
- 10 violett/purple
- 11 grau/rosa/grey/pink
- 12 rot/blau/red/blue

Geschirmte Versionen: Schirm auf Gehäuse
Shielded versions: shield on housing

Technical data

General values

Connector design	female cable connector
Connector locking system	screw
Termination	moulded on cable
Wire gauge (mm)	0.25 mm ²
Wire gauge (AWG)	24
Upper limit temperature	105 °C
Lower limit temperature	- 40 °C
Customs tariff number	85444290

Cable data

Cable length	5 m
Sheath material	PP
Single-lead insulation	PVC
Single-lead structure	32 x 0,1 mm
Cable diameter	6.6 mm
Conductor resistance	75 Ω/Km
Temperature range, moving cable, °C from	- 5 °C
Temperature range, moving cable, °C to	105 °C
Temperature range, fixed cable, °C from	-40 °C
Temperature range, fixed cable, °C to	105 °C
Bending radius, fixed cable	≥ 5 x Ø
Bending radius, moving cable	≥ 10 x Ø
Approval 1	Ecolab
Approval 2	FDA compliant
UL style 1	AWM2517

Electrical values

Rated current (40 °C)	1.5 A
Rated voltage	30 V
Rated impulse voltage	800 V
Pollution degree	3
Overvoltage category	II
Insulating material group	II
Insulation resistance	≥ 10 ¹⁰ Ω
EMC compliance	not shielded
Degree of protection	IP69K
	IP67
Degree of protection 2	IP67
Mechanical operation	> 100 Mating cycles

Material

Contact material	CuZn (brass)
Contact plating	Au (gold)
Contact body material	PP
Housing material	PP

Product description	M12-A female cable connector, Contacts: 12, not shielded, moulded on cable, IP69K, Ecolab, FDA compliant, Standard cable, PP grey, 12 x 0.25 mm²
Area	M12-A series 763
Order number	77 3730 0000 40912-0500

Security notices

The connectors are designed for use in plant, control system and electrical equipment. The end user is responsible for checking whether the connectors are suitable for use in other applications.

Connectors with degree of protection IP 67 and IP 68 are not suitable for use under water. When used outdoors, the connectors must be separately protected against corrosion. For further information about IP degrees of protection refer to 'Technical support' in the Download Centre.

To lock the cable connector to the equipment connector, the threaded ring is tightened until it is 'finger-tight' (approx. 50 cNm).