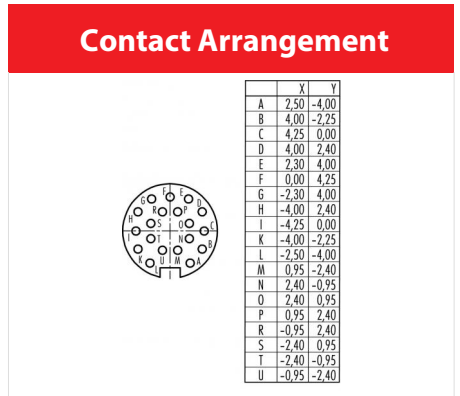
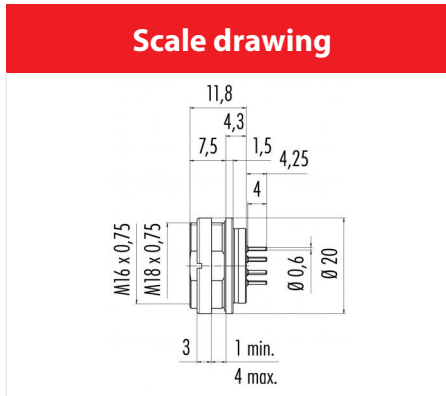


Product sheet

Miniature connector



Product	Contacts: 19, Female panel mount connector, dip-solder, screwed from front, 12 - 19 contacts, with UL approval	Area	M16 IP67 Series 423/ 723/ 425
Pole	19	Article number	09 0464 90 19



You can find the assembly instruction on the next page.

Technical data

Common values

Connector Design	Female panel mount connector
Connector locking system	screw
Termination	dip-solder
Wire gauge (mm)	-
Wire gauge (AWG)	-
Upper temperature	95 °C
Lower temperature	-40 °C

Electrical values

Rated voltage	60 V
Rated impulse voltage	500 V
Pollution degree	1
Overvoltage category	I
Material group	III
Rated current (40°C)	3 A
Volume resistivity	≤ 3 mΩ
EMV compliance	shielded
Degree of protection	IP67
Mechanical operation	> 500 mating cycles

Material

Material of contact	CuSn (Bronze)
Contact plating	Au (Gold)
Material of contact body	PBT (UL 94 V-0)
Material of housing	Nickel-plated zinc die casting

Contacts: 19, Female panel mount connector, dip-solder, screwed from front, 12 - 19 contacts, gold plated contacts, with UL approval



Product	Contacts: 19, Female panel mount connector, dip-solder, screwed from front, 12 - 19 contacts, with UL approval	Area Article number	M16 IP67 Series 423/ 723/ 425 09 0464 90 19
Pole	19		

Installation instructions / Mounting cutout

