

Product Pole

Contacts 6+PE: Cable plug connector, PG 9 6+PE

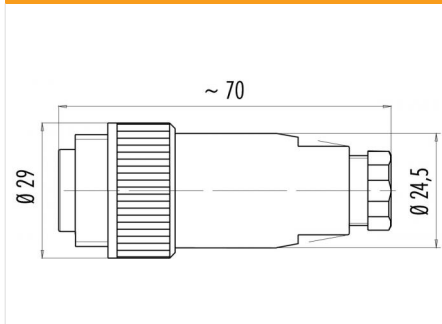
Area Article number

RD24 Power Series 692/693 99 0217 00 07

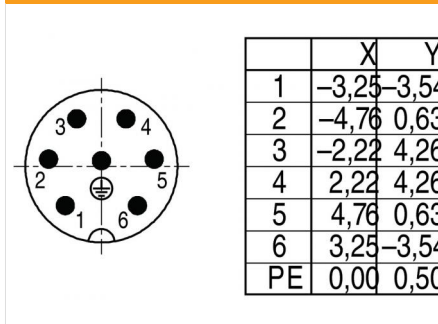
Illustration



Scale drawing



Contact Arrangement



You can find the item description on the next page.

Technical data

Common values

| | |
|--------------------------|---------------------------|
| Connector Design | Cable plug connector |
| Connector locking system | screw |
| Termination | Screwing |
| Wire gauge (mm) | 0.34 -1.5 mm ² |
| Wire gauge (AWG) | 22-16 |
| Cable outlet | 6 - 8 mm |
| Upper temperature | 100 °C |
| Lower temperature | -40 °C |

Electrical values

| | |
|-----------------------|---------------------|
| Rated voltage | 250 V |
| Rated impulse voltage | 4000 V |
| Pollution degree | 3 |
| Overvoltage category | III |
| Material group | III |
| Rated current (40°C) | 10 A |
| Volume resistivity | ≤ 5 mΩ |
| EMV compliance | not shielded |
| Degree of protection | IP67 |
| Mechanical operation | > 500 mating cycles |

Material

| | |
|--------------------------|-----------------|
| Material of contact | CuZn (Brass) |
| Contact plating | Ag (Silver) |
| Material of contact body | PBT (UL 94 V-0) |
| Material of housing | PBT (UL 94 V-0) |

Contacts 6+PE: Cable plug connector, PG 9, screw

Product sheet

Output connector



Product
Pole

**Contacts 6+PE: Cable plug connector, PG 9
6+PE**

Area
Article number

**RD24 Power Series 692/693
99 0217 00 07**

Item description

