

# Product sheet

## Subminiature connector



Product	<b>Contacts 5, female panel mount connector</b>	Area	<b>Push-Pull IP67 Series 430</b>
Pole	<b>IP 67</b> <b>5</b>	Article number	<b>09 4916 015 05</b>

Illustration	Scale drawing	Contact Arrangement																		
		<table border="1" style="margin-left: auto; margin-right: auto;"> <thead> <tr> <th></th> <th>X</th> <th>Y</th> </tr> </thead> <tbody> <tr> <td>1</td> <td>-1,00</td> <td>-1,37</td> </tr> <tr> <td>2</td> <td>-1,61</td> <td>0,52</td> </tr> <tr> <td>3</td> <td>0,00</td> <td>1,70</td> </tr> <tr> <td>4</td> <td>1,61</td> <td>0,52</td> </tr> <tr> <td>5</td> <td>1,00</td> <td>-1,37</td> </tr> </tbody> </table>		X	Y	1	-1,00	-1,37	2	-1,61	0,52	3	0,00	1,70	4	1,61	0,52	5	1,00	-1,37
	X	Y																		
1	-1,00	-1,37																		
2	-1,61	0,52																		
3	0,00	1,70																		
4	1,61	0,52																		
5	1,00	-1,37																		

You can find the item description and assembly instruction on the next page.

## Technical data

### Common values

Connector Design	Female panel mount connector
Connector locking system	Push-Pull
Termination	Solder
Wire gauge (mm)	0.25 mm <sup>2</sup>
Wire gauge (AWG)	24
Cable outlet	-
Upper temperature	85 °C
Lower temperature	-40 °C

### Cable data

material housing	-
Insulation single lead	-
Single lead structure	-
Conductor resistance	-

### Electrical values

Rated voltage	125 V
Rated impulse voltage	1500 V
Pollution degree	2
Overvoltage category	I
Material group	II
Rated current (40°C)	3 A
Volume resistivity	≤ 5 mΩ
EMV compliance	not shieldable
Degree of protection	IP67
Mechanical operation	> 500 mating cycles

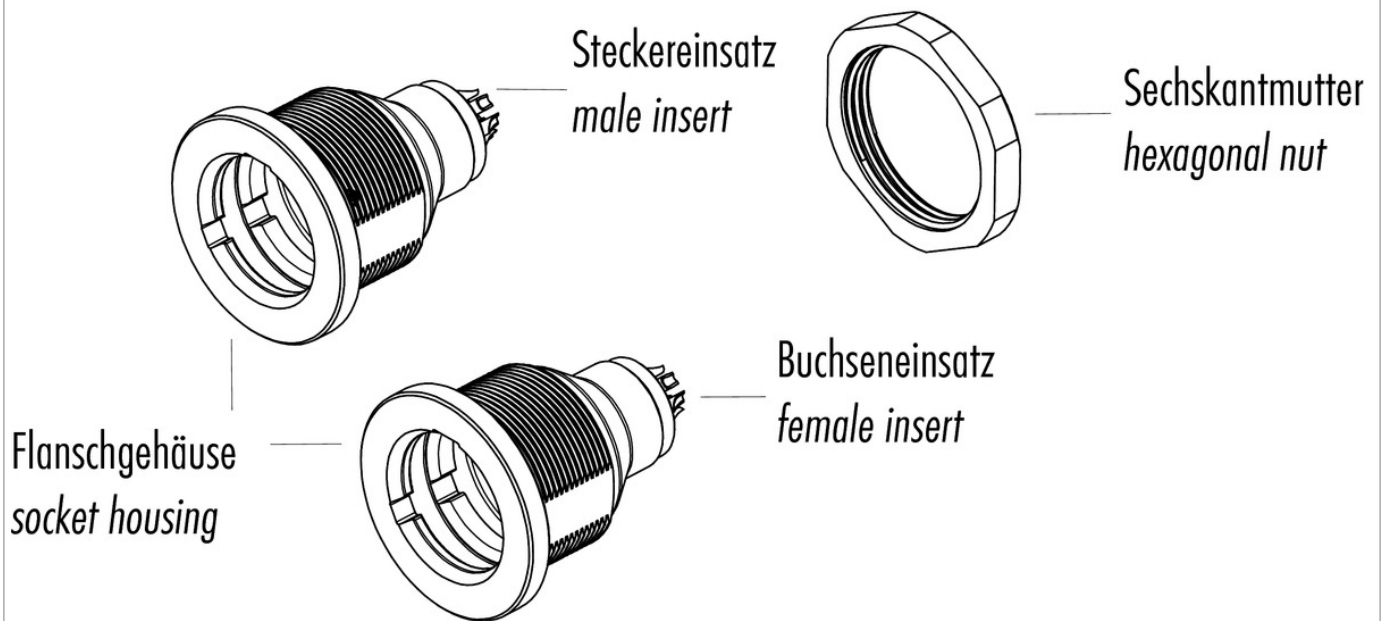
### Material

Material of contact	CuSn (Bronze)
Contact plating	Au (Gold)
Material of contact body	PBT, PA
Material of housing	CuZn (Brass nickel-plated)

Contacts: 5, Female panel mount connector IP 67

Product	Contacts 5, female panel mount connector	Area	Push-Pull IP67 Series 430
Pole	IP 67 5	Article number	09 4916 015 05

### Item description



### Installation instructions / Mounting cutout

