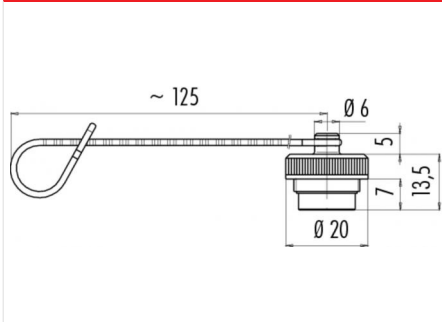


Product **423/723/425: Protection cap for female cable, IP67**
 Article number **08 1078 000 000**

Illustration



Scale drawing



Matching products

- Female cable connector with shielding ring, shieldable, PG 7, cable outlet 4-6 mm, with UL approval
- Female cable connector with shielding ring, shieldable, PG 9, cable outlet 6-8 mm, with UL approval
- Female cable connector with shielding ring, shieldable, PG 11, cable outlet 8-10 mm, with UL approval
- Female cable connector with cable clamp, shieldable, PG 7, cable outlet 4-6 mm, with UL approval
- Female cable connector with cable clamp, shieldable, PG 9, cable outlet 6-8 mm, with UL approval
- Female cable connector with cable clamp, screw terminal connection, shieldable, PG 7, cable outlet 4-6 mm
- Female cable connector with cable clamp, screw terminal connection, shieldable, PG 9, cable outlet 6-8 mm
- Female cable connector with cable clamp, CRIMP connection, shieldable, PG 7, cable outlet 4 - 6 mm
- Female cable connector with cable clamp, CRIMP connection, shieldable, PG 9, cable outlet 6 - 8 mm
- Female cable connector, short version, not shieldable, cable outlet 4-8 mm, with UL approval
- Female cable connector, short version, CRIMP connection, cable outlet 4-8 mm
- Female angled connector, shieldable, PG 7, cable outlet 4-6 mm, with UL approval
- Female angled connector, shieldable, PG 9, cable outlet 6-8 mm, with UL approval
- Female angled connector, CRIMP connection, shieldable, PG 7, cable outlet 4-6 mm
- Female angled connector, CRIMP connection, shieldable, PG 9, cable outlet 6-8 mm
- Female cable connector, cable outlet 4-6 mm
- Female cable connector, cable outlet 6-8 mm
- Female angled connector, cable outlet 4-6 mm
- Female angled connector, cable outlet 6-8 mm
- Female cable connector
- Female cable connector, shielded
- Female angled connector
- Female angled connector, shielded