
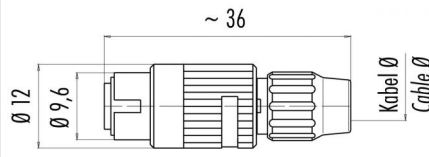
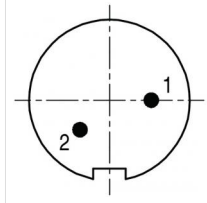


# Product sheet

## Subminiature connector



Product Pole	<b>Contacts: 2, Cable plug connector</b> 2	Area Article number	<b>Bayonet IP40 Series 710</b> 99 0971 100 02
--------------	---	---------------------	--

Illustration	Scale drawing	Contact Arrangement									
		 <table border="1" style="margin-left: 20px;"> <thead> <tr> <th></th> <th>X</th> <th>Y</th> </tr> </thead> <tbody> <tr> <td>1</td> <td>1,55</td> <td>0,00</td> </tr> <tr> <td>2</td> <td>-1,09</td> <td>-1,09</td> </tr> </tbody> </table>		X	Y	1	1,55	0,00	2	-1,09	-1,09
	X	Y									
1	1,55	0,00									
2	-1,09	-1,09									

You can find the item description on the next page.

## Technical data

### Common values

Connector Design	Cable plug connector
Connector locking system	Bayonet
Termination	Solder
Wire gauge (mm)	0.25 mm <sup>2</sup>
Wire gauge (AWG)	24
Cable outlet	3 - 4 mm
Upper temperature	85 °C
Lower temperature	-40 °C

### Cable data

material housing	-
Insulation single lead	-
Single lead structure	-
Conductor resistance	-

### Electrical values

Rated voltage	125 V
Rated impulse voltage	1500 V
Pollution degree	1
Overvoltage category	II
Material group	III
Rated current (40°C)	4 A
Volume resistivity	≤ 3 mΩ
EMV compliance	not shieldable
Degree of protection	IP40
Mechanical operation	> 500 mating cycles

### Material

Material of contact	CuZn (Brass)
Contact plating	Au (Gold)
Material of contact body	PA (UL 94 V-0)
Material of housing	PA (UL 94 HB)

Contacts: 2, cable plug connector, cable outlet 3 -4 mm

Product  
Pole

Contacts: 2, Cable plug connector  
2

Area  
Article number

Bayonet IP40 Series 710  
99 0971 100 02

### Item description

