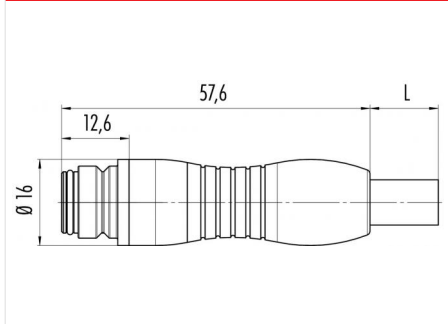


Product	Contacts: 12, female cable connector, black, injection-moulded cable	Area	Snap-in IP67 Series 720
Pole	12	Article number	79 9178 020 12

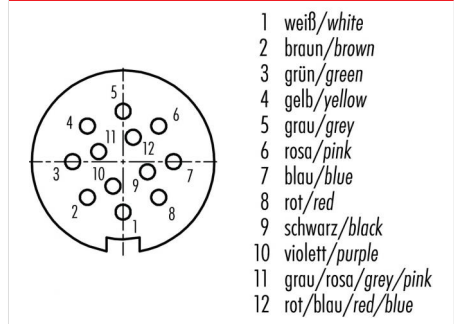
Illustration



Scale drawing



Contact Arrangement



You can find the item description on the next page.

Technical data

Common values

Connector Design	Female cable connector
Connector locking system	Snap
Termination	injection-moulded cable
Wire gauge (mm)	0.25 mm ²
Wire gauge (AWG)	24
Cable outlet	2.5 - 4 mm
Upper temperature	70 °C
Lower temperature	-40 °C

Electrical values

Rated voltage	60 V
Rated impulse voltage	800 V
Pollution degree	2
Overvoltage category	II
Material group	II
Rated current (40°C)	2 A
Volume resistivity	≤ 3 mΩ
EMV compliance	-
Degree of protection	IP67
Mechanical operation	> 500 mating cycles

Cable data

material housing	PUR
Insulation single lead	PVC
Single lead structure	14 x 0.15
Cable sheath Ø	7
Conductor resistance	72Ω/Km (20°C)
Temperature range cable movable c from	-5
Temperature range cable movable c to	70
Temperature range cable fixed c from	-40
Temperature range cable fixed c to	70
Bending radius cable fixed	min. 40 mm
Bending radius cable movable	min. 70 mm

Material

Material of contact	CuSn (Bronze)
Contact plating	Au (Gold)
Material of contact body	PA (UL 94 V-0)
Material of housing	PUR

Contacts: 12, female cable connector, black, injection-moulded cable, cable length 2 m

Product	Contacts: 12, female cable connector, black, injection-moulded cable	Area	Snap-in IP67 Series 720
Pole	12	Article number	79 9178 020 12

Item description

