

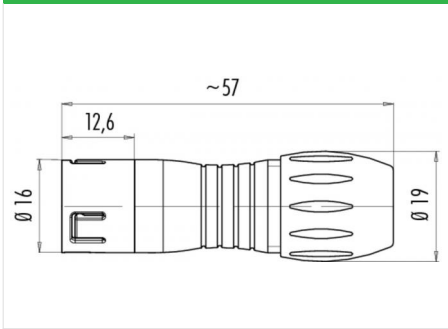
Product **Contacts: 12, Male cable connector, cable outlet 6 - 8 mm, blue**

Area **Snap-in IP67, miniature Series**
 Article number **99 9133 462 12**

Illustration



Scale drawing



Contact Arrangement

| | X | Y |
|----|-------|-------|
| 1 | 0,00 | -3,70 |
| 2 | 2,62 | -2,62 |
| 3 | 3,70 | 0,00 |
| 4 | 2,62 | 2,62 |
| 5 | 0,00 | 3,70 |
| 6 | -2,62 | 2,62 |
| 7 | -3,70 | 0,00 |
| 8 | -2,62 | -2,62 |
| 9 | -1,79 | -0,74 |
| 10 | 0,74 | -1,79 |
| 11 | 1,79 | 0,74 |
| 12 | -0,74 | 1,79 |

You can find the item description on the next page.

Technical data

General features

| | |
|--------------------------|----------------------|
| Connector Design | Cable Connector |
| Connector locking system | snap |
| Termination | solder |
| Wire gauge (mm) | 0,25 mm ² |
| Wire gauge (AWG) | 24 |
| Cable outlet | 6 - 8 mm |
| Upper temperature | 85 °C |
| Lower temperature | -40 °C |

Electrical parameters

| | |
|-----------------------|--------------|
| Rated voltage | 60 V |
| Rated impulse voltage | 800 V |
| Pollution degree | 2 |
| Overvoltage category | II |
| Material group | II |
| Rated current (40°C) | 2 A |
| Volume resistivity | ≤ 3 mΩ |
| EMV compliance | not shielded |
| Degree of protection | IP67 |

Material

| | |
|--------------------------|----------------|
| Material of contact | CuZn (Messing) |
| Contact plating | Au (gold) |
| Material of contact body | PA (UL 94 V-0) |

Product **Contacts: 12, Male cable connector, cable outlet 6 - 8 mm, blue**

Area **Snap-in IP67, miniature Series**
Article number **99 9133 462 12**

Item description

