

Product sheet

Miniature connector

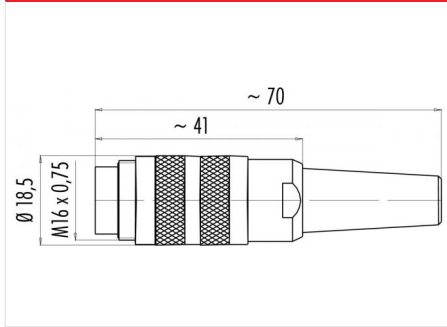


Product	Contacts: 7, cable plug connector with cable clamp, shieldable, cable outlet 6 - 8 mm	Area	M16 IP40 Series 581
Pole	7	Article number	99 2025 29 07

Illustration



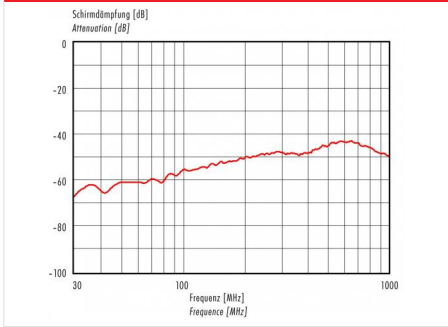
Scale drawing



Contact Arrangement

	X	Y
1	-1,75	-3,03
2	-3,50	0,00
3	-1,75	3,03
4	1,75	3,03
5	3,50	0,00
6	1,75	-3,03
7	0,00	0,00

Attenuation characteristic



You can find the item description on the next page.

Technical data

Common values

Connector Design	Cable plug connector
Connector locking system	screw
Termination	Solder
Wire gauge (mm)	0.75 mm ²
Wire gauge (AWG)	20
Cable outlet	6 - 7.8 mm
Upper temperature	85 °C
Lower temperature	-40 °C

Electrical values

Rated voltage	125 V
Rated impulse voltage	800 V
Pollution degree	1
Overvoltage category	I
Material group	III
Rated current (40°C)	5 A
Volume resistivity	≤ 3 mΩ
EMV compliance	shielded
Degree of protection	IP40
Mechanical operation	> 500 mating cycles

Material

Material of contact	CuZn (Brass)
Contact plating	Au (Gold)
Material of contact body	PBT (UL 94 V-0)
Material of housing	CuZn (Brass nickel-plated)

Contacts: 7, Cable plug connector with cable clamp, shieldable, cable outlet 6 - 8 mm, gold plated contacts

Product	Contacts: 7, cable plug connector with cable clamp, shieldable, cable outlet 6 - 8 mm	Area	M16 IP40 Series 581
Pole	7	Article number	99 2025 29 07

Item description

