

Product sheet

Subminiature connector



Product Pole

Contacts 8, female panel mount connector
8

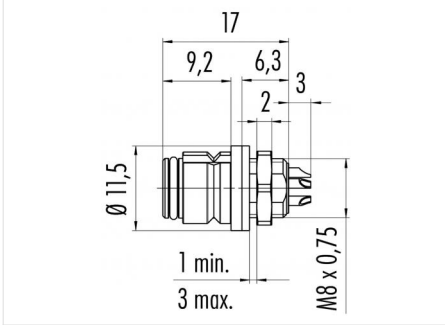
Area Article number

Snap-in IP67 Series 620
99 9228 00 08

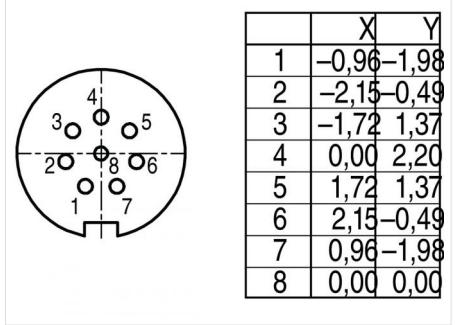
Illustration



Scale drawing



Contact Arrangement



You can find the item description and assembly instruction on the next page.

Technical data

Common values

| | |
|--------------------------|------------------------------|
| Connector Design | Female panel mount connector |
| Connector locking system | Snap |
| Termination | Solder |
| Wire gauge (mm) | 0.25 mm ² |
| Wire gauge (AWG) | 24 |
| Cable outlet | 3 - 5 mm |
| Upper temperature | 85 °C |
| Lower temperature | -25 °C |

Cable data

| | |
|------------------------|---|
| material housing | - |
| Insulation single lead | - |
| Single lead structure | - |
| Conductor resistance | - |

Electrical values

| | |
|-----------------------|---------------------|
| Rated voltage | 63 V |
| Rated impulse voltage | 800 V |
| Pollution degree | 2 |
| Overvoltage category | II |
| Material group | II |
| Rated current (40°C) | 1 A |
| Volume resistivity | ≤ 3 mΩ |
| EMV compliance | not shieldable |
| Degree of protection | IP67 |
| Mechanical operation | > 500 mating cycles |

Material

| | |
|--------------------------|----------------|
| Material of contact | CuSn (Bronze) |
| Contact plating | Au (Gold) |
| Material of contact body | PA (UL 94 V-0) |
| Material of housing | PA (UL 94 V-0) |

Contacts: 8, female panel mount connector

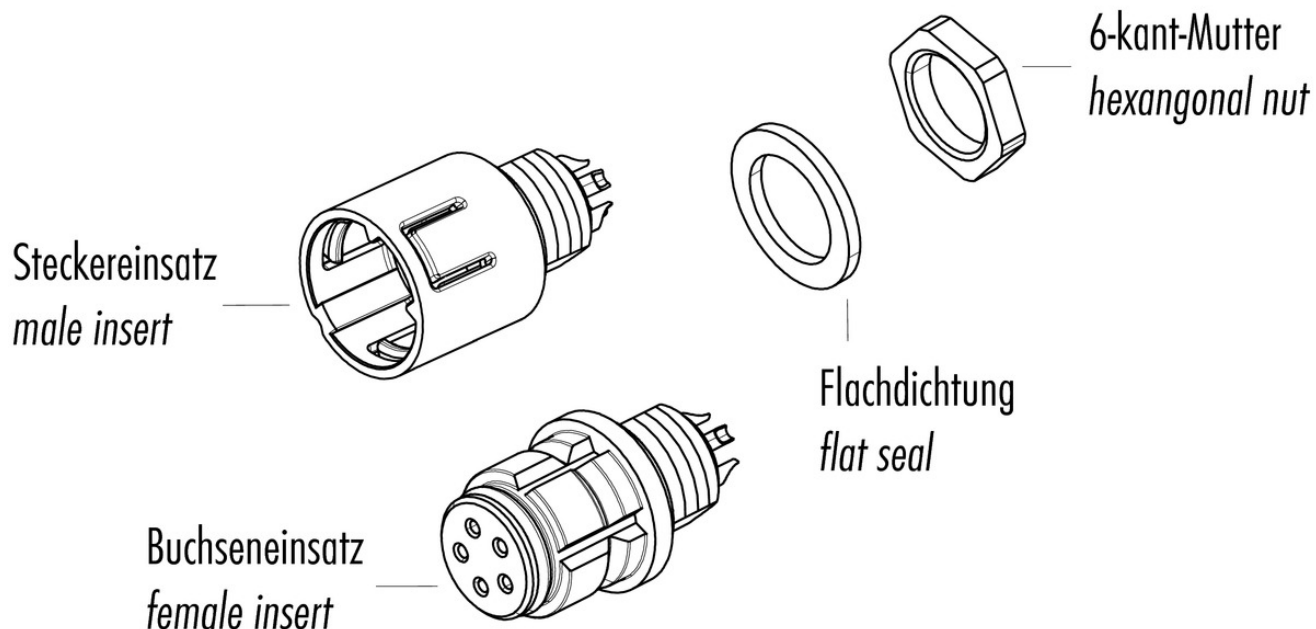
Product
Pole

Contacts 8, female panel mount connector
8

Area
Article number

Snap-in IP67 Series 620
99 9228 00 08

Item description



Installation instructions / Mounting cutout

