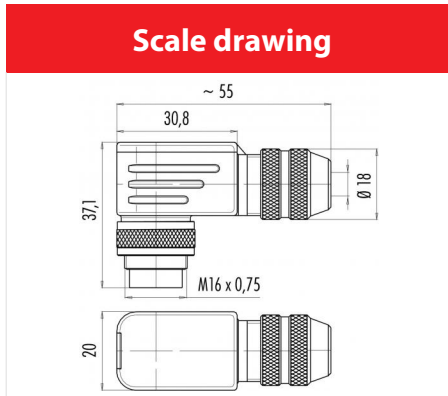


**Product sheet**  
**Miniature connector**



Product	<b>Contacts: 8 DIN, Male angled connector, CRIMP connection, shieldable, cable outlet</b>	Area	<b>M16 IP67 Series 423</b>
Pole	<b>6 - 8 mm</b> <b>8 DIN</b>	Article number	<b>99 5671 750 08</b>



**Contact Arrangement**

	X	Y
1	3,50	0,00
2	0,00	3,50
3	-3,50	0,00
4	2,47	2,47
5	-2,47	2,47
6	2,47	-2,47
7	-2,47	-2,47
8	0,00	-0,70

You can find the item description on the next page.

**Technical data**

**Common values**

Connector Design	Male angled connector
Connector locking system	screw
Termination	Crimp
Wire gauge (mm)	0.14 - 0.75 mm <sup>2</sup>
Wire gauge (AWG)	26 - 20
Cable outlet	6 - 8 mm
Upper temperature	95 °C
Lower temperature	-40 °C

**Electrical values**

Rated voltage	60 V
Rated impulse voltage	500 V
Pollution degree	1
Overvoltage category	I
Material group	III
Rated current (40°C)	5 A
Volume resistivity	≤ 5 mΩ
EMV compliance	schirmbar
Degree of protection	IP67
Mechanical operation	> 500 mating cycles

**Material**

Material of contact	CuSn (Bronze)
Contact plating	Ag (Silver)
Material of contact body	PBT (UL 94 V-0)
Material of housing	CuZn (Brass nickel-plated)

Contacts: 8 DIN, Male angled connector, CRIMP connection, shieldable, cable outlet 6 - 8 mm



Product

**Contacts: 8 DIN, Male angled connector,  
 CRIMP connection, shieldable, cable outlet**  
**6 - 8 mm**  
**8 DIN**

Area  
 Article number

**M16 IP67 Series 423**  
**99 5671 750 08**

Pole

### Item description

