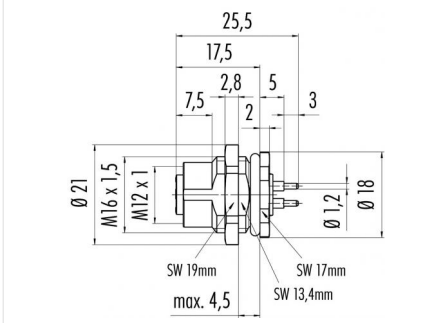


Product	<b>Polzahl: 4, Flanschdose mit T-Kodierung, POWER, von vorn verschraubbar, tauchlöten, M16 x 1,5</b>	Area	<b>M 12-T Series 813</b>
Pole	<b>4</b>	Article number	<b>09 0632 90 04</b>

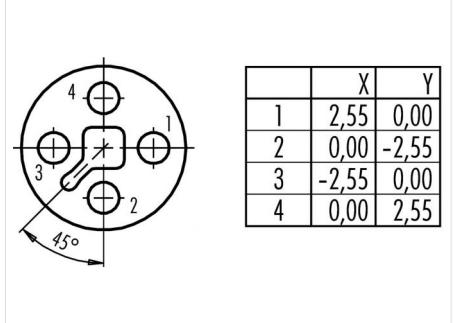
**Illustration**



**Scale drawing**



**Contact Arrangement**



You can find the assembly instruction on the next page.

**Technical data**

**Common values**

Connector Design	Female panel mount connector
Connector locking system	screw
Termination	tauchlöten
Wire gauge (mm)	1.50 mm <sup>2</sup>
Wire gauge (AWG)	16
Cable outlet	-
Upper temperature	85 °C
Lower temperature	-40 °C

**Electrical values**

Rated voltage	63 V
Rated impulse voltage	1500 V
Pollution degree	3
Overvoltage category	III
Material group	III
Rated current (40°C)	12 A
Volume resistivity	≤ 3 mΩ
Degree of protection	IP67
Mechanical operation	> 100 mating cycles

**Material**

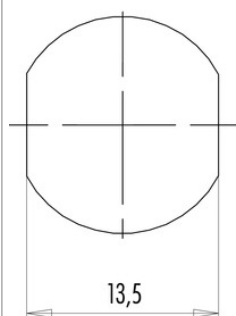
Material of contact	CuSn (Bronze), CuZn (Brass)
Contact plating	Au (Gold)
Material of contact body	PA
Material of housing	Nickel-plated zinc die casting, nickel-plated brass

Polzahl: 4, Flanschdose mit T-Kodierung, POWER, von vorn verschraubbar, tauchlöten, M16 x 1,5

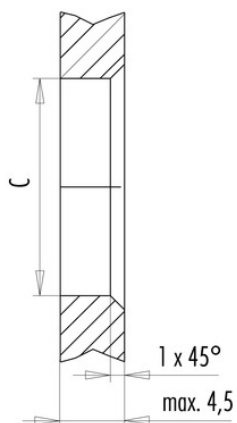
Product	<b>Polzahl: 4, Flanschdose mit T-Kodierung, POWER, von vorn verschraubbar, tauchlöten, M16 x 1,5</b>	Area	<b>M 12-T Series 813</b>
Pole	<b>4</b>	Article number	<b>09 0632 90 04</b>

Installation instructions / Mounting cutout

Mit Fläche als Verdrehschutz  
With flats as anti-rotation device



Mit Durchgangsbohrung  
With bore hole



	C
PG 9	15,3
M16x1,5	16,1

Anzugsdrehmoment/Tightening moment

Metallgehäuse/Metal housing 6,25 Nm  
Kunststoffgehäuse/Plastic housing 3,75 Nm