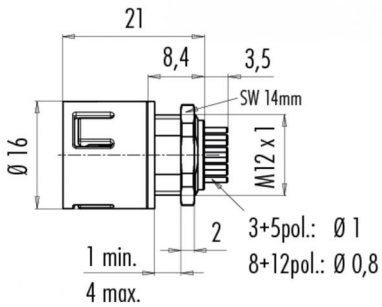
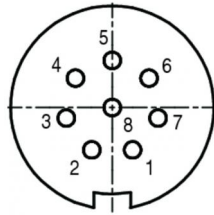


Product **Contacts: 8, Female panel mount connector, lightgrey, dip-solder termination**
 Area **Snap-in IP67, miniature Series**
 Article number **99 9128 490 08**

Scale drawing



Contact Arrangement



	X	Y
1	1,35	-2,79
2	-1,35	-2,79
3	-3,02	-0,69
4	-2,43	1,93
5	0,00	3,10
6	2,43	1,93
7	3,02	-0,69
8	0,00	0,00

You can find the item description and assembly instruction on the next page.

Technical data

General features

Connector Design female panel mount connector
 Connector locking system snap
 Termination dip-solder
 Wire gauge (mm) 0,25 mm²
 Wire gauge (AWG) 24
 Upper temperature 85 °C
 Lower temperature -25 °C

Electrical parameters

Rated voltage 125 V
 Rated impulse voltage 1500 V
 Pollution degree 2
 Overvoltage category II
 Material group II
 Rated current (40°C) 2 A
 Volume resistivity ≤ 3 mΩ
 EMV compliance not shielded
 Degree of protection IP67

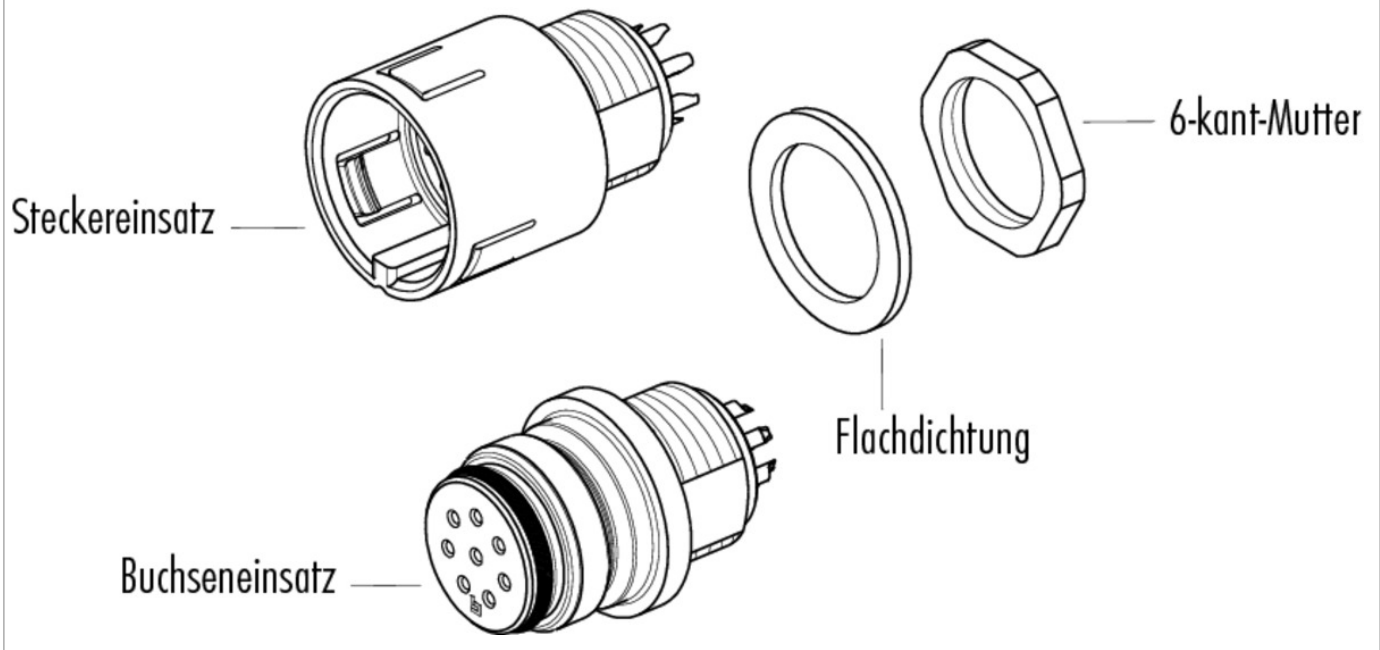
Material

Material of contact CuZn (Messing)
 Contact plating Au (gold)
 Material of contact body PA (UL 94 V-0)

Product **Contacts: 8, Female panel mount connector, lightgrey, dip-solder termination**

Area **Snap-in IP67, miniature Series**
Article number **99 9128 490 08**

Item description



Installation instructions / Mounting cutout

