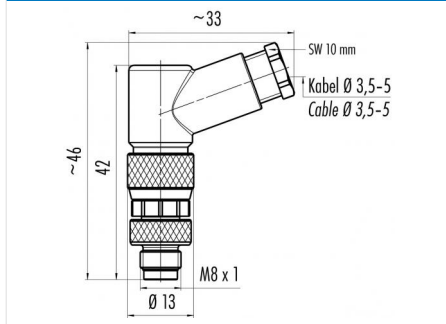


Product	Contacts: 3, Male angled connector, screw terminal connection	Area	M8 Series 768
Pole	3	Article number	99 3379 110 03

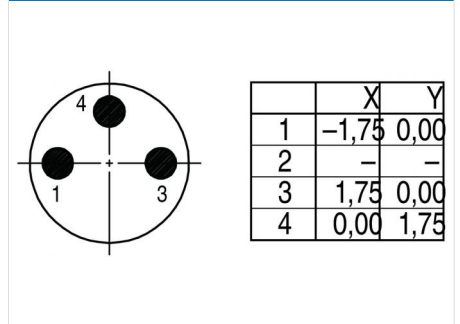
Illustration



Scale drawing



Contact Arrangement



You can find the item description on the next page.

Technical data

Common values

Connector Design	Male angled connector
Connector locking system	screw
Termination	Screwing
Wire gauge (mm)	screw 0.14 - 0.5 mm ²
Wire gauge (AWG)	26 - 20
Cable outlet	3.5 - 5 mm
Upper temperature	85 °C
Lower temperature	-40 °C

Electrical values

Rated voltage	60 V
Rated impulse voltage	800 V
Pollution degree	3
Overvoltage category	II
Material group	III
Rated current (40°C)	4 A
Volume resistivity	≤ 3 mΩ
EMV compliance	-
Degree of protection	IP67
Mechanical operation	> 100 mating cycles

Material

Material of contact	CuZn (Brass)
Contact plating	Au (Gold)
Material of contact body	PA 66 (UL 94 HB)
Material of housing	PBT

Contacts: 3, Male angled connector, screw terminal connection

Product

Contacts: 3, Male angled connector, screw terminal connection
3

Area
Article number

M8 Series 768
99 3379 110 03

Pole

Item description

