

Product sheet

Miniature connector

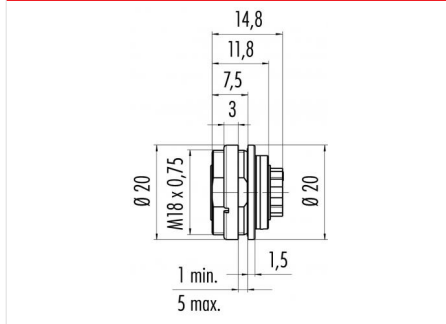


| | | | |
|---------|---|----------------|--------------------------------------|
| Product | Contacts: 6 DIN, Female panel mount connector, crimp, screwed from front | Area | M16 IP67 Series 423/ 723/ 425 |
| Pole | 6 DIN | Article number | 09 0124 780 06 |

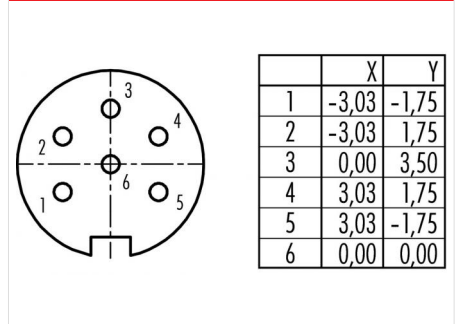
Illustration



Scale drawing



Contact Arrangement



Technical data

Common values

| | |
|--------------------------|------------------------------|
| Connector Design | Female panel mount connector |
| Connector locking system | screw |
| Termination | Crimp |
| Wire gauge (mm) | 0.14 -1.0 mm ² |
| Wire gauge (AWG) | 26-18 |
| Cable outlet | - |
| Upper temperature | 95 °C |
| Lower temperature | -40 °C |

Electrical values

| | |
|-----------------------|---------------------|
| Rated voltage | 250 V |
| Rated impulse voltage | 1500 V |
| Pollution degree | 1 |
| Overvoltage category | I |
| Material group | III |
| Rated current (40°C) | 5 A |
| Volume resistivity | ≤ 5 mΩ |
| EMV compliance | not shielded |
| Degree of protection | IP67 |
| Mechanical operation | > 500 mating cycles |

Material

| | |
|--------------------------|----------------------------|
| Material of contact | CuSn (Bronze) |
| Contact plating | Ag (Silver) |
| Material of contact body | PBT (UL 94 V-0) |
| Material of housing | CuZn (Brass nickel-plated) |

Contacts: 6 DIN, Female panel mount connector, crimp, screwed from front