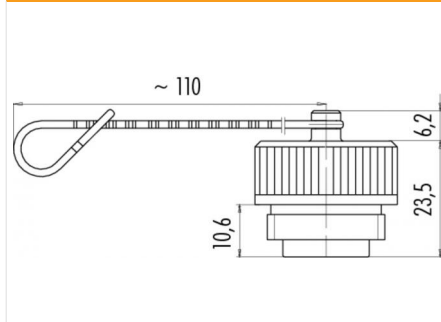


Product **692/693: Protection cap for female cable, IP67**  
 Article number **08 2300 000 000**

## Illustration



## Scale drawing



## Matching products

- Female cable connector, PG 9
- Female cable connector with cable strain relief, PG 9, VDE-, UL and ETS approval
- Female cable connector with pinch ring, PG 11
- Female cable connector with pinch ring, PG 11, VDE, UL and ETS approval
- Female cable connector with pinch ring, PG 13.5
- Female cable connector with pinch ring, PG 13.5, VDE, UL and ETS approval
- Female cable connector with pinch ring, PG 16
- Female cable connector with pinch ring, PG 16, VDE, UL and ETS approval
- Female angled connector, PG 9
- Female angled connector, PG 9, VDE, UL and ETS approval
- Female angled connector, PG 11
- Female angled connector, PG 11, VDE, UL and ETS approval
- Female angled connector, PG 13.5
- Female angled connector, PG 13.5, VDE, UL and ETS approval
- female cable connector injection-moulded cable
- female angled connector injection-moulded cable