
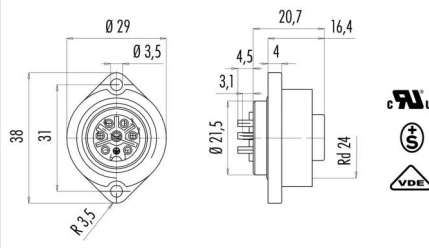
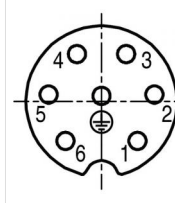


Product sheet

Output connector



Product	Contacts: 6+PE, female panel mount connector with VDE, UL and ETS approval, solder connection	Area	RD24 Power Series 692/693
Pole	6+PE	Article number	09 4228 00 07

Illustration	Scale drawing	Contact Arrangement																								
		 <table border="1" style="margin-left: auto; margin-right: auto;"> <thead> <tr> <th></th> <th>X</th> <th>Y</th> </tr> </thead> <tbody> <tr> <td>1</td> <td>3,25</td> <td>-3,54</td> </tr> <tr> <td>2</td> <td>4,76</td> <td>0,63</td> </tr> <tr> <td>3</td> <td>2,22</td> <td>4,26</td> </tr> <tr> <td>4</td> <td>-2,22</td> <td>4,26</td> </tr> <tr> <td>5</td> <td>-4,76</td> <td>0,63</td> </tr> <tr> <td>6</td> <td>-3,25</td> <td>-3,54</td> </tr> <tr> <td>PE</td> <td>0,00</td> <td>0,50</td> </tr> </tbody> </table>		X	Y	1	3,25	-3,54	2	4,76	0,63	3	2,22	4,26	4	-2,22	4,26	5	-4,76	0,63	6	-3,25	-3,54	PE	0,00	0,50
	X	Y																								
1	3,25	-3,54																								
2	4,76	0,63																								
3	2,22	4,26																								
4	-2,22	4,26																								
5	-4,76	0,63																								
6	-3,25	-3,54																								
PE	0,00	0,50																								

You can find the assembly instruction on the next page.

Technical data

Common values

Connector Design	Female panel mount connector
Connector locking system	screw
Termination	Solder
Wire gauge (mm)	0.75 mm ²
Wire gauge (AWG)	20
Cable outlet	-
Upper temperature	100 °C
Lower temperature	-40 °C

Electrical values

Rated voltage	250 V
Rated impulse voltage	4000 V
Pollution degree	3
Overvoltage category	III
Material group	III
Rated current (40°C)	10 A (8 A UL)
Volume resistivity	≤ 5 mΩ
EMV compliance	not shielded
Degree of protection	IP67
Mechanical operation	> 500 mating cycles

Material

Material of contact	CuSn (Bronze)
Contact plating	Ag (Silver)
Material of contact body	PBT
Material of housing	-

Contacts: 6+PE, female panel mount connector, PG 9, with VDE, ETS, UL approval, solder



Product

Contacts: 6+PE, female panel mount
connector with VDE, UL and ETS approval,
solder connection
6+PE

Area
Article number

RD24 Power Series 692/693
09 4228 00 07

Pole

Installation instructions / Mounting cutout

