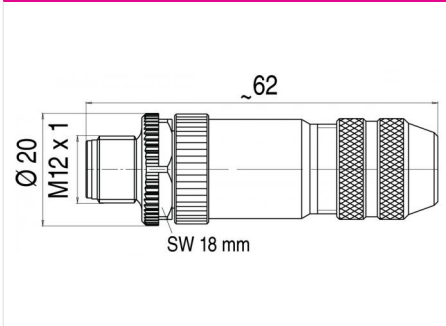


Product	<b>Contacts: 4, Cable plug connector, shieldable, screw terminal connection, static ring version with die-cast threaded ring, with UL approval</b>	Area	<b>M12-B Series 715</b>
Pole	<b>4</b>	Article number	<b>99 1429 810 04</b>

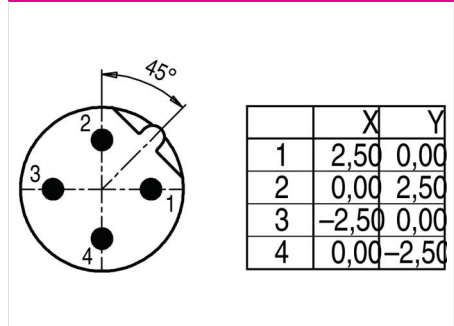
**Illustration**



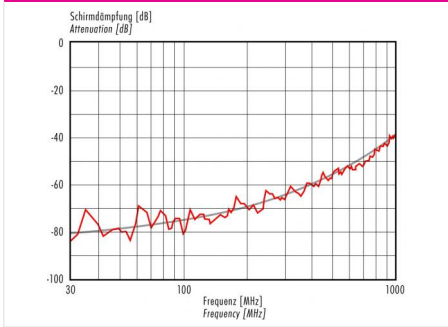
**Scale drawing**



**Contact Arrangement**



**Attenuation characteristic**



You can find the item description and assembly instruction on the next page.

**Technical data**

**Common values**

Connector Design	Cable plug connector
Connector locking system	screw
Termination	Screwing
Wire gauge (mm)	0.75 mm <sup>2</sup>
Wire gauge (AWG)	18
Cable outlet	6 - 8 mm
Upper temperature	85 °C
Lower temperature	-40 °C

**Electrical values**

Rated voltage	250 V
Rated impulse voltage	2500 V
Pollution degree	3
Overvoltage category	II
Material group	III
Rated current (40°C)	4 A
Volume resistivity	≤ 3 mΩ
EMV compliance	shielded
Degree of protection	IP67
Mechanical operation	> 100 mating cycles

**Cable data**

material housing	-
Insulation single lead	-
Single lead structure	-
Conductor resistance	-
Bending radius cable fixed	-
Bending radius cable movable	-

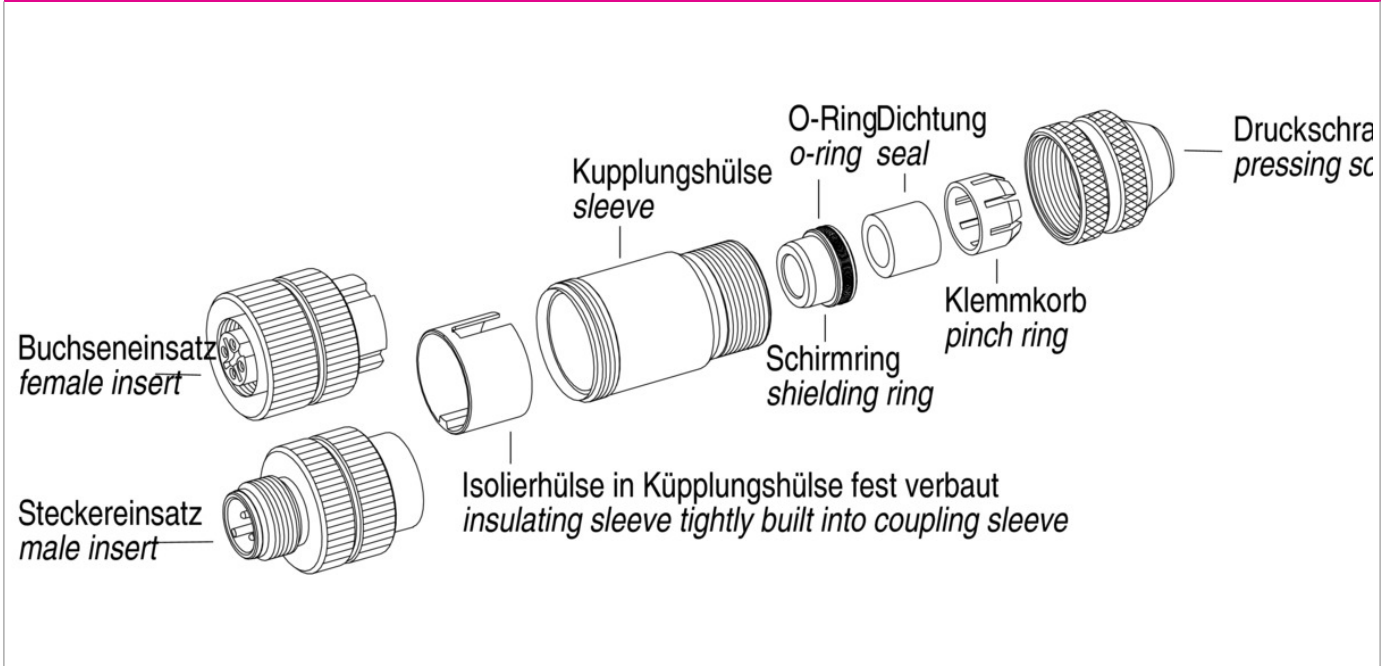
**Material**

Material of contact	CuZn (Brass)
Contact plating	Au (Gold)
Material of contact body	PA
Material of housing	PA, nickel-plated zinc die casting/ PA

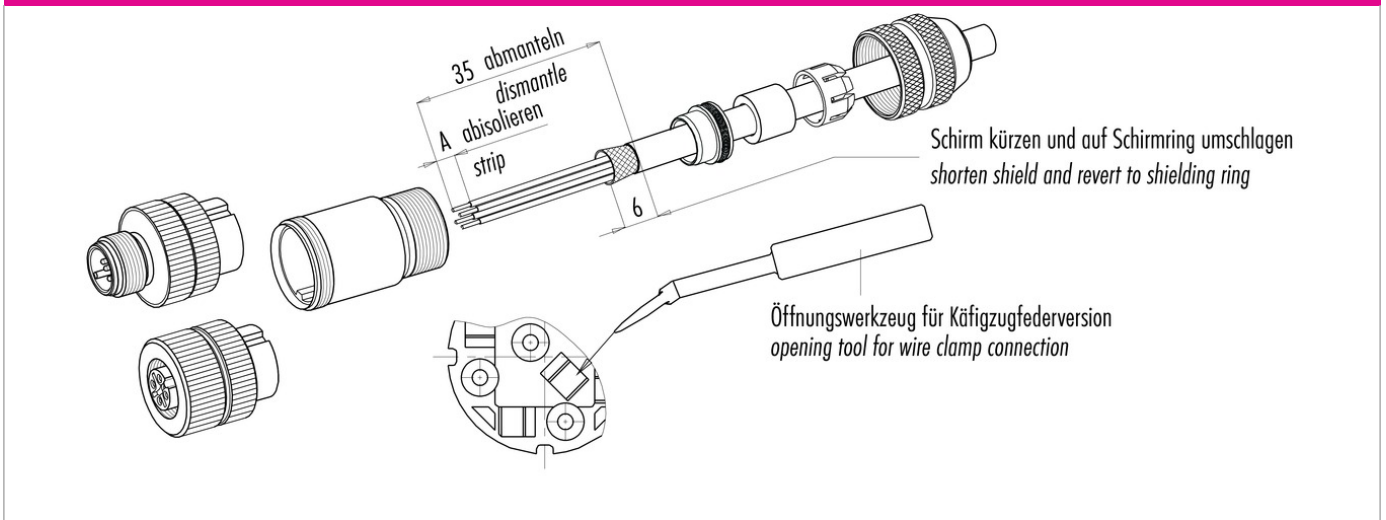
cable outlet: 6 - 8 mm, Contacts: 4, Cable plug connector, shieldable, screw terminal connection, static ring version, with UL approval

Product	<b>Contacts: 4, Cable plug connector, shieldable, screw terminal connection, static ring version with die-cast threaded ring, with UL approval</b>	Area	<b>M12-B Series 715</b>
Pole	<b>4</b>	Article number	<b>99 1429 810 04</b>

Item description



Installation instructions / Mounting cutout



	Schraubklemmversion screw connection	Käfigzugfederversion wire clamp connection
Maß A/mm measure A/mm	<b>5</b>	<b>7</b>