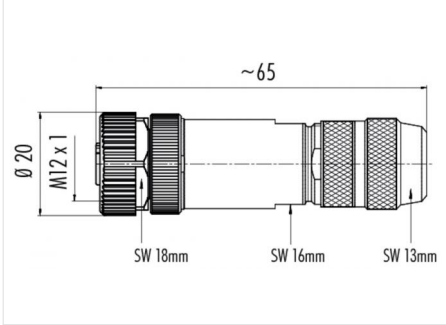


Product	contacts 4: female cable connector, crimp connection
Area	M12-B Series 715
Article number	99 1434 810 04

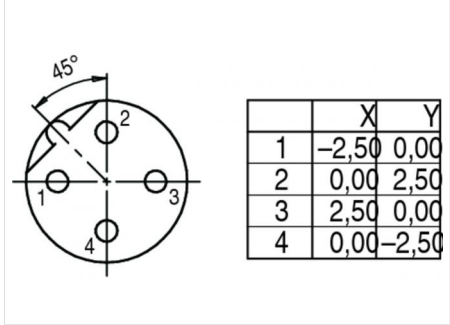
Illustration



Scale drawing



Contact Arrangement



Technical data

General features

Connector Design	Cable socket
Connector locking system	bolted
Termination	crimp
Cable outlet	5 – 8 mm
Upper temperature	85 °C
Lower temperature	-40 °C

Electrical parameters

Rated voltage	250 V
Rated impulse voltage	2500 V
Pollution degree	3
Overvoltage category	II
Material group	III
Rated current (40°C)	4 A
Volume resistivity	≤ 3 mΩ
EMV compliance	shielded
Degree of protection	IP67
Mechanical operation	> 50 Mating cycles

Material

Material of contact	CuSn (Bronze)
Contact plating	Au (gold)
Material of contact body	PA