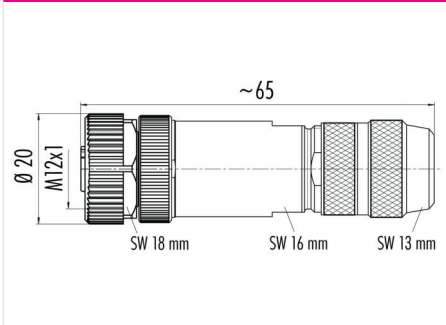


Product	<b>Contacts: 4, Female cable connector, shieldable, CAT 5 screw terminal connection, iris type spring, cable outlet 5 - 8 mm, with die-cast threaded ring, with UL approval</b>	Area Article number	<b>M12-D, M12-X Series 825 D-coding 99 3728 810 04</b>
Pole	<b>4</b>		

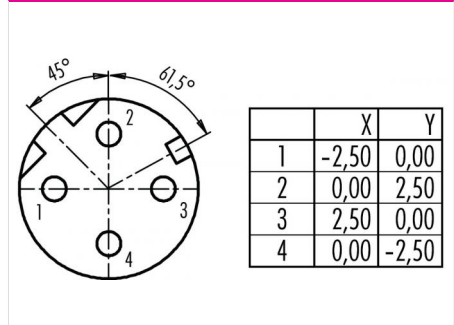
**Illustration**



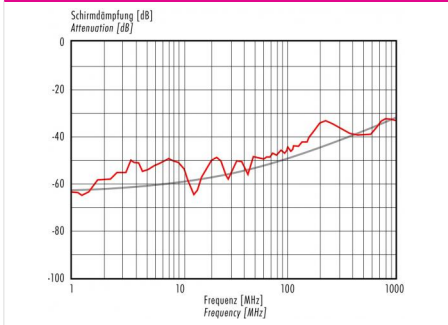
**Scale drawing**



**Contact Arrangement**



**Attenuation characteristic**



You can find the item description and assembly instruction on the next page.

**Technical data**

**Common values**

Connector Design	Female cable connector
Connector locking system	screw
Termination	schrauben
Wire gauge (mm)	0.75 mm <sup>2</sup>
Wire gauge (AWG)	18
Upper temperature	85 °C
Lower temperature	-40 °C

**Electrical values**

Rated voltage	250 V
Rated impulse voltage	2500 V
Pollution degree	3
Overvoltage category	II
Material group	III
Rated current (40°C)	4 A
Volume resistivity	≤ 3 mΩ
EMV compliance	shielded
Degree of protection	IP67
Mechanical operation	> 100 mating cycles

**Cable data**

material housing	-
Insulation single lead	-
Single lead structure	-
Conductor resistance	-
Bending radius cable fixed	-
Bending radius cable movable	-

cable outlet: 5 - 8 mm, Contacts: 4, Female cable connector, shieldable, CAT 5 screw terminal connection, iris type spring, with UL approval

Product	<b>Contacts: 4, Female cable connector, shieldable, CAT 5 screw terminal connection, iris type spring, cable outlet 5 - 8 mm, with die-cast threaded ring, with UL approval</b>	Area Article number	<b>M12-D, M12-X Series 825 D-coding 99 3728 810 04</b>
Pole	<b>4</b>		

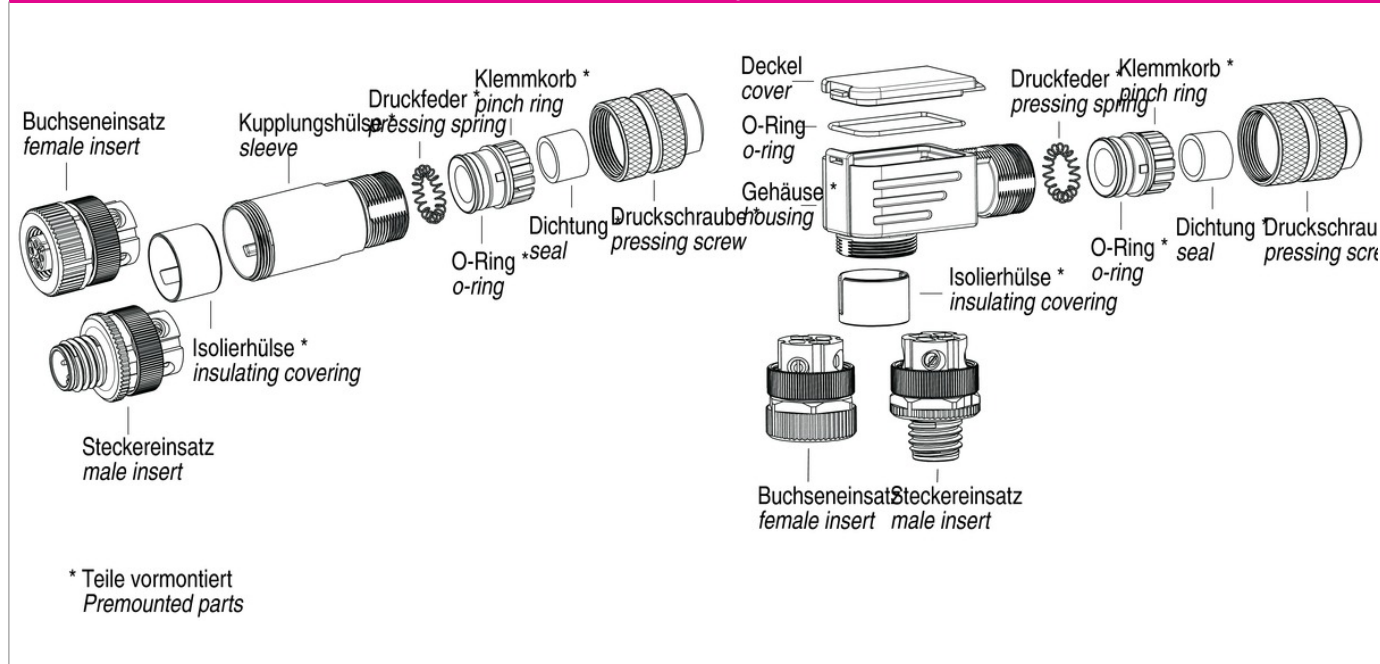
Technical data

Material

Material of contact	CuZn (Brass)
Contact plating	Au (Gold)
Material of contact body	PA
Material of housing	Nickel-plated zinc die casting

Product	<b>Contacts: 4, Female cable connector, shieldable, CAT 5 screw terminal connection, iris type spring, cable outlet 5 - 8 mm, with die-cast threaded ring, with UL approval</b>	Area Article number	<b>M12-D, M12-X Series 825 D-coding 99 3728 810 04</b>
Pole	4		

Item description



Installation instructions / Mounting cutout

