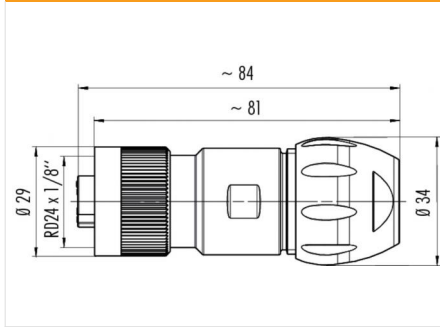


Product **contacts 6+PE: female cable connector, cable outlet 7-17mm, crimp**
 Area **RD24 Power Series 692/693**
 Article number **99 4202 300 07**

Illustration



Scale drawing



Technical data

General features

Connector Design	Cable socket
Connector locking system	bolted
Termination	crimp
Wire gauge (mm)	0,14-1,5 mm ²
Wire gauge (AWG)	26-16
Cable outlet	7 - 17mm
Upper temperature	100 °C
Lower temperature	-40 °C

Electrical parameters

Rated voltage	250 V
Rated impulse voltage	4000 V
Pollution degree	3
Overvoltage category	III
Material group	III
Rated current (40°C)	10 A
Volume resistivity	≤ 5 mΩ
EMV compliance	not shielded
Degree of protection	IP67
Mechanical operation	> 50 Mating cycles

Material

Material of contact	CuSn (Bronze)
Contact plating	Ag (silver)
Material of contact body	PBT