

Product 713-825: Shielding sheet for panel mount connector, screwed from back, M16x1
Area M12-D, M12-X

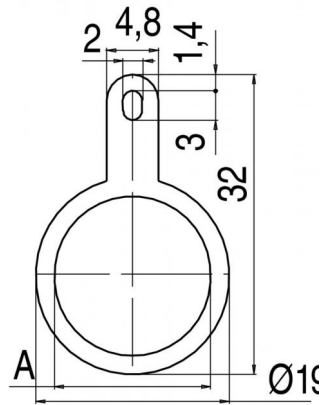
Article number 04 0735 124

Date: 2015-06-04 - Page 1 of 1

Illustration



Scale drawing



Matching products

- Male panel mount connector M16, with PROFINET cable, shielded
- Female panel mount connector with single wires 0.25 mm²
- Female panel mount connector M16, with PROFINET cable, shielded