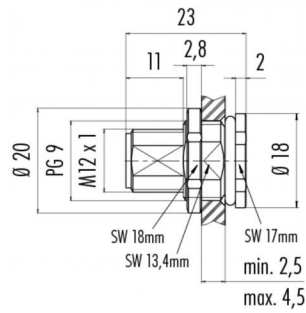


Product **Contacts 8, Male panel mount connector, soldered, screwed from front, unmounted PG 9**
 Area **M12-A Series 713/763**
 Article number **86 0531 1002 00008**

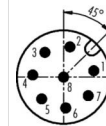
Illustration



Scale drawing



Contact Arrangement



	X	Y
1	2,69	0,57
2	0,57	2,69
3	-1,66	2,20
4	-2,75	0,19
5	-1,94	-1,94
6	0,19	-2,74
7	2,20	-1,65
8	0,00	0,00

- 1 weiß/white
- 2 braun/brown
- 3 grün/green
- 4 gelb/yellow
- 5 grau/grey
- 6 rosa/pink
- 7 blau/blue
- 8 rot/red

Geschirmte Versionen: Schirm auf Gehäuse oder Pin 8
 Shielded versions: shield on housing or pin 8

You can find the assembly instruction on the next page.

Technical data

General features

Connector Design male panel mount connector
 Connector locking system bolted
 Termination solder
 Wire gauge (mm) 0,25 mm²
 Wire gauge (AWG) 24
 Upper temperature 85 °C
 Lower temperature -40 °C

Cable data

Approval 1 UL

Electrical parameters

Rated voltage 30 V
 Rated impulse voltage 800 V
 Pollution degree 3
 Overvoltage category II
 Material group II
 Rated current (40°C) 2 A
 Volume resistivity ≤ 3 mΩ
 EMV compliance not shielded
 Degree of protection IP68
 Mechanical operation > 100 Mating cycles

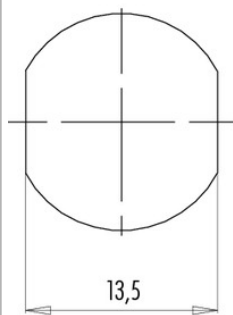
Material

Material of contact CuZn (Messing)
 Contact plating Au (gold)
 Material of contact body PA

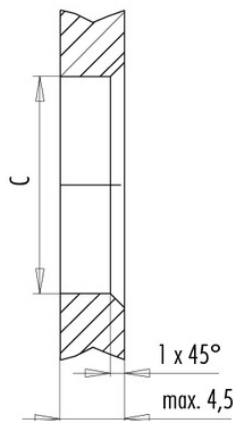
Product **Contacts 8, Male panel mount connector, soldered, screwed from front, unmounted PG 9**
 Area **M12-A Series 713/763**
 Article number **86 0531 1002 00008**

Installation instructions / Mounting cutout

Mit Fläche als Verdrehschutz
With flats as anti-rotation device



Mit Durchgangsbohrung
With bore hole



	C
PG 9	15,3
M16x1,5	16,1

Anzugsdrehmoment/Tightening moment

Metallgehäuse/Metal housing 6,25 Nm
 Kunststoffgehäuse/Plastic housing 3,75 Nm