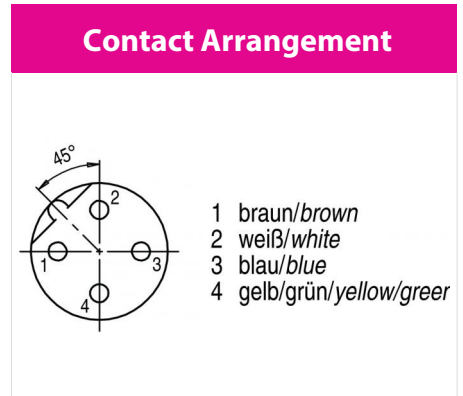
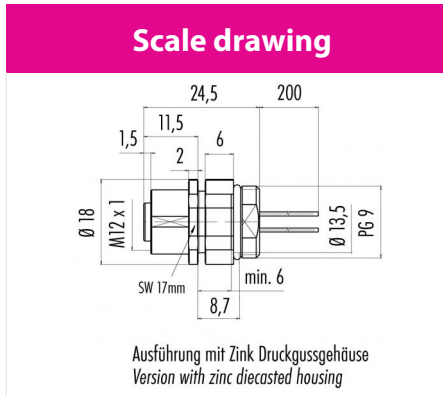


Product	Contacts: 4, Female panel mount connector, adjustable, with single wires	Area	M12-B Series 715/766
	0.25 mm²	Article number	09 4432 22 04
Pole	4		



You can find the assembly instruction on the next page.

Technical data

Common values

Connector Design	Female panel mount connector
Connector locking system	screw
Termination	Single wires
Wire gauge (mm)	0.25 mm ²
Wire gauge (AWG)	24
Upper temperature	85 °C
Lower temperature	-40 °C

Cable data

material housing	-
Insulation single lead	-
Single lead structure	-
Conductor resistance	-
Bending radius cable fixed	-
Bending radius cable movable	-

Electrical values

Rated voltage	250 V
Rated impulse voltage	2500 V
Pollution degree	3
Overvoltage category	II
Material group	II
Rated current (40°C)	4 A
Volume resistivity	≤ 3 mΩ
EMV compliance	not shielded
Degree of protection	IP68
Mechanical operation	> 100 mating cycles

Material

Material of contact	CuSn (Bronze)
Contact plating	Au (Gold)
Material of contact body	PUR, PA
Material of housing	Nickel-plated zinc die casting

fixing thread: PG 9, Contacts: 4, Female panel mount connector, adjustable, with single wires 0.25 mm²

Product

Contacts: 4, Female panel mount connector, adjustable, with single wires
0.25 mm²
4

Area
Article number

M12-B Series 715/766
09 4432 22 04

Pole

Installation instructions / Mounting cutout



Anzugsdrehmoment/Tightening moment
6,25 Nm