

Product sheet

Miniature connector

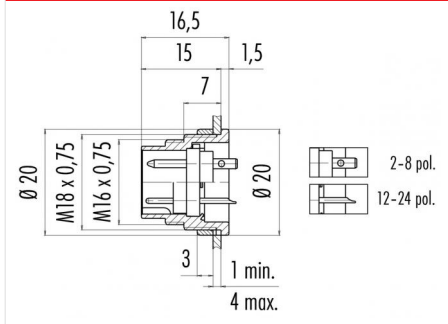


| | | | |
|---------|--|----------------|--------------------------------------|
| Product | Contacts: 8 DIN, Male panel mount connector, solder, screwed from front | Area | M16 IP40 Series 581/ 680/ 682 |
| Pole | 8 DIN | Article number | 09 0473 80 08 |

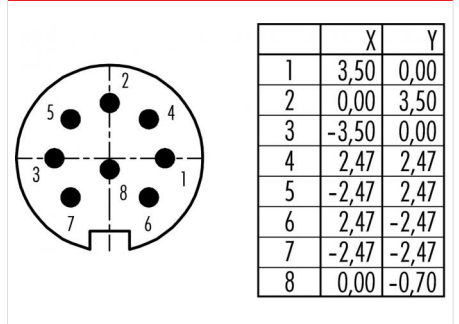
Illustration



Scale drawing



Contact Arrangement



You can find the assembly instruction on the next page.

Technical data

Common values

| | |
|--------------------------|----------------------------|
| Connector Design | Male panel mount connector |
| Connector locking system | screw |
| Termination | Solder |
| Wire gauge (mm) | 0.75 mm ² |
| Wire gauge (AWG) | 20 |
| Upper temperature | 85 °C |
| Lower temperature | -40 °C |

Electrical values

| | |
|-----------------------|---------------------|
| Rated voltage | 60 V |
| Rated impulse voltage | 500 V |
| Pollution degree | 1 |
| Overvoltage category | I |
| Material group | III |
| Rated current (40°C) | 5 A |
| Volume resistivity | ≤ 5 mΩ |
| EMV compliance | shielded |
| Degree of protection | IP40 |
| Mechanical operation | > 500 mating cycles |

Material

| | |
|--------------------------|--------------------------------|
| Material of contact | CuZn (Brass) |
| Contact plating | Ag (Silver) |
| Material of contact body | PBT (UL 94 V-0) |
| Material of housing | Nickel-plated zinc die casting |

Contacts: 8 DIN, Male panel mount connector, solder, screwed from front, silver plated contacts

Product

Contacts: 8 DIN, Male panel mount connector, solder, screwed from front 8 DIN

Area
Article number

**M16 IP40 Series 581/ 680/ 682
09 0473 80 08**

Pole

Installation instructions / Mounting cutout

