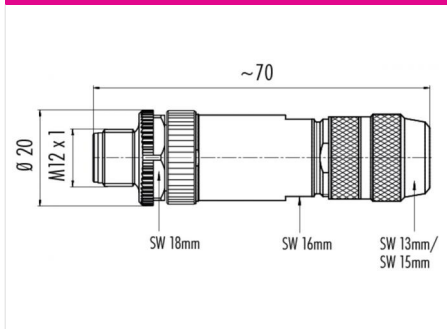


Product	<b>Contacts: 4, Male cable connector with T-coding, POWER, screw clamp connection, iris type spring, shieldable, cable outlet 8-9 mm</b>
Area	<b>M 12-T Series 813</b>
Article number	<b>99 1631 812 04</b>

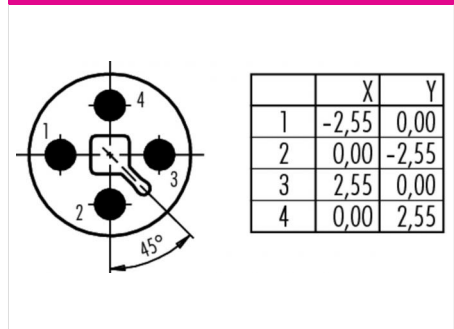
**Illustration**



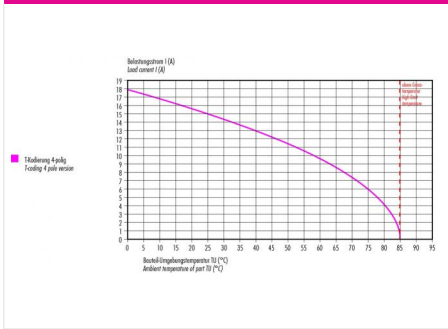
**Scale drawing**



**Contact Arrangement**



**Attenuation characteristics**



**Technical data**

**General features**

Connector Design	Cable Connector
Connector locking system	bolted
Termination	removable screw
Wire gauge (mm)	max. 1,5 mm <sup>2</sup>
Wire gauge (AWG)	16
Cable outlet	8 - 9 mm
Upper temperature	85 °C
Lower temperature	-40 °C

**Electrical parameters**

Rated voltage	63 V
Rated impulse voltage	1500 V
Pollution degree	3
Overtoltage category	III
Material group	III
Rated current (40°C)	12 A
Volume resistivity	≤ 3 mΩ
EMV compliance	shieldable
Degree of protection	IP67

**Material**

Material of contact	CuZn (Messing)
Contact plating	Au (gold)
Material of contact body	PA