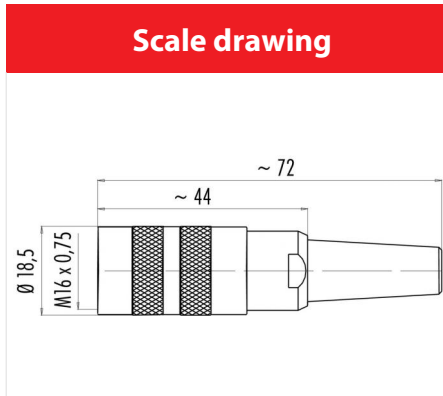


Product sheet

Miniature connector



| | | | |
|---------|------------------------------------------------------------------------------------------------|----------------|----------------------------|
| Product | Contacts: 14, Female cable connector with solder eye, shieldable, cable outlet 6 - 8 mm | Area | M16 IP40 Series 581 |
| Pole | 14 | Article number | 99 2034 02 14 |



Contact Arrangement

| | X | Y |
|---|-------|-------|
| A | 2,50 | -4,00 |
| C | 4,25 | 0,00 |
| E | 2,30 | 4,00 |
| G | -2,30 | 4,00 |
| J | -4,25 | 0,00 |
| L | -2,50 | 4,00 |
| M | 0,95 | -2,40 |
| N | 2,40 | -0,95 |
| O | 2,40 | 0,95 |
| P | 0,95 | 2,40 |
| R | -0,95 | 2,40 |
| S | -2,40 | 0,95 |
| T | -2,40 | -0,95 |
| U | -0,95 | -2,40 |

You can find the item description on the next page.

Technical data

Common values

| | |
|--------------------------|------------------------|
| Connector Design | Female cable connector |
| Connector locking system | screw |
| Termination | Solder |
| Wire gauge (mm) | 0.25 mm ² |
| Wire gauge (AWG) | 24 |
| Cable outlet | 6 - 7.8 mm |
| Upper temperature | 85 °C |
| Lower temperature | -40 °C |

Electrical values

| | |
|-----------------------|---------------------|
| Rated voltage | 60 V |
| Rated impulse voltage | 500 V |
| Pollution degree | 1 |
| Overvoltage category | I |
| Material group | III |
| Rated current (40°C) | 3 A |
| Volume resistivity | ≤ 3 mΩ |
| EMV compliance | shielded |
| Degree of protection | IP40 |
| Mechanical operation | > 500 mating cycles |

Material

| | |
|--------------------------|----------------------------|
| Material of contact | CuSn (Bronze) |
| Contact plating | Au (Gold) |
| Material of contact body | PBT (UL 94 V-0) |
| Material of housing | CuZn (Brass nickel-plated) |

Contacts: 14, Female cable connector with solder eye, shieldable, cable outlet 6 - 8 mm, gold plated contacts

Product sheet
Miniature connector

| | | | |
|---------|------------------------------------------------------------------------------------------------|----------------|----------------------------|
| Product | Contacts: 14, Female cable connector with solder eye, shieldable, cable outlet 6 - 8 mm | Area | M16 IP40 Series 581 |
| Pole | 14 | Article number | 99 2034 02 14 |

Item description

