

**Product sheet**  
**Miniature connector**

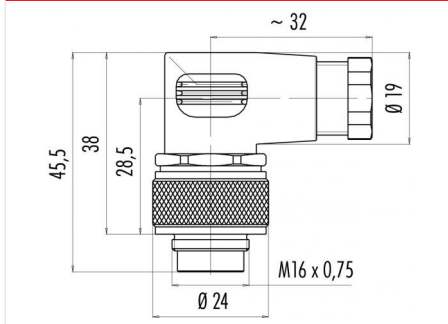


Product	<b>Contacts: 14, Male angled connector, cable outlet 6 - 8 mm</b>	Area	<b>M16 IP67 Series 723</b>
Pole	<b>14</b>	Article number	<b>99 0451 75 14</b>

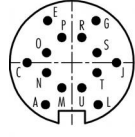
**Illustration**



**Scale drawing**



**Contact Arrangement**



	X	Y
A	-2,50	-4,00
C	-4,25	0,00
E	-2,30	4,00
G	2,30	4,00
J	4,25	0,00
L	2,50	-4,00
M	-0,95	-2,40
N	-2,40	-0,95
O	-2,40	0,95
P	-0,95	2,40
R	0,95	2,40
S	2,40	0,95
T	2,40	-0,95
U	0,95	-2,40

You can find the item description on the next page.

**Technical data**

**Common values**

Connector Design	Male angled connector
Connector locking system	screw
Termination	Solder
Wire gauge (mm)	0.25 mm <sup>2</sup>
Wire gauge (AWG)	24
Cable outlet	6 - 8 mm
Upper temperature	95 °C
Lower temperature	-40 °C

**Electrical values**

Rated voltage	60 V
Rated impulse voltage	500 V
Pollution degree	1
Overvoltage category	I
Material group	III
Rated current (40°C)	3 A
Volume resistivity	≤ 3 mΩ
EMV compliance	not shielded
Degree of protection	IP67
Mechanical operation	> 500 mating cycles

**Material**

Material of contact	CuZn (Brass)
Contact plating	Au (Gold)
Material of contact body	PBT (UL 94 V-0)
Material of housing	PA (UL 94 HB)

Contacts: 14, Male angled connector, cable outlet 6 - 8 mm, gold plated contacts

**Product sheet**  
**Miniature connector**

Product

**Contacts: 14, Male angled connector, cable outlet 6 - 8 mm**  
**14**

Area  
Article number

**M16 IP67 Series 723**  
**99 0451 75 14**

Pole

**Item description**

