
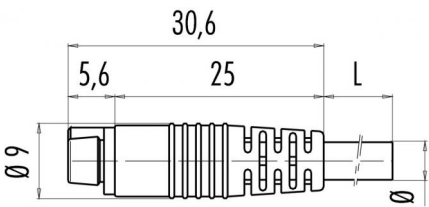
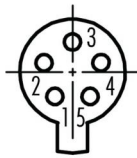


Product sheet

Subminiature connector



Product	Contacts: 5, Female cable connector overmoulded on cable	Area	Snap-in IP40 Series 709
Pole	5	Article number	79 9006 12 05

Illustration	Scale drawing	Contact Arrangement										
		 <table style="margin-left: auto; margin-right: auto;"> <tr><td>1</td><td>braun/brown</td></tr> <tr><td>2</td><td>weiß/white</td></tr> <tr><td>3</td><td>blau/blue</td></tr> <tr><td>4</td><td>schwarz/black</td></tr> <tr><td>5</td><td>grau/grey</td></tr> </table>	1	braun/brown	2	weiß/white	3	blau/blue	4	schwarz/black	5	grau/grey
1	braun/brown											
2	weiß/white											
3	blau/blue											
4	schwarz/black											
5	grau/grey											

Technical data

Common values

Connector Design	Female cable connector
Connector locking system	Snap
Termination	overmoulded on cable
Wire gauge (mm)	0.25 mm ²
Wire gauge (AWG)	24
Cable outlet	-
Upper temperature	70 °C
Lower temperature	-20 °C

Cable data

material housing	PVC
Insulation single lead	PVC
Single lead structure	32 x 0.10 mm
Cable sheath Ø	5
Conductor resistance	80Ω/Km (20°C)
Bending radius cable fixed	25 mm
Bending radius cable movable	50 mm
Cable diameter	5

Electrical values

Rated voltage	60 V
Rated impulse voltage	800 V
Pollution degree	1
Overvoltage category	II
Material group	III
Rated current (40°C)	3 A
Volume resistivity	≤ 3 mΩ
EMV compliance	not shielded
Degree of protection	IP40
Mechanical operation	> 100 mating cycles

Material

Material of contact	CuSn (Bronze)
Contact plating	Au (Gold)
Material of contact body	PA
Material of housing	PUR

Contacts: 5, Female cable connector overmoulded, cable length 2 m