

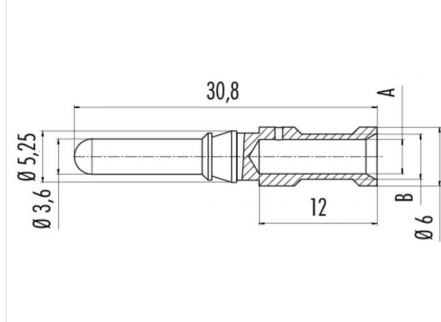
Product description **Male contact, set of 100**

Order number **61 1285 139**

## Illustration



## Scale drawing



## Technical data

Wire gauge (mm)	6.00 mm <sup>2</sup>
Wire gauge (AWG)	10
Crimp measurement	A = 3.5; B = 4.6