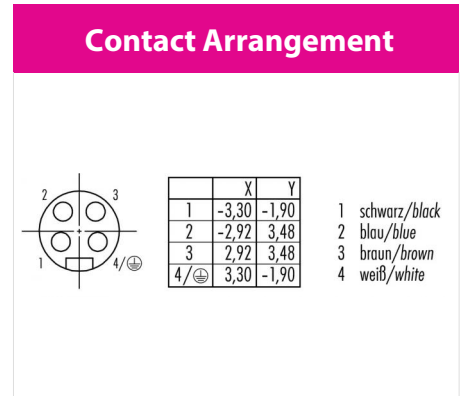
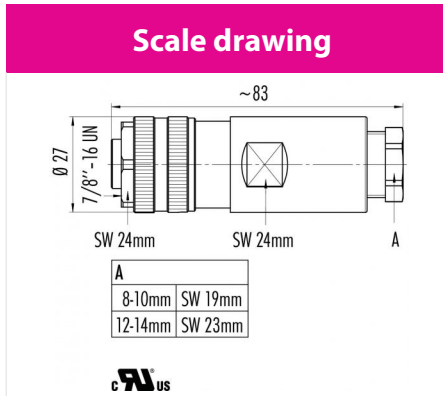


Product	<b>Contacts: 3+PE, Female cable connector, cable outlet 8 - 10 mm, 12 - 14 mm, with UL approval</b>	Area	<b>7/8" Series 820</b>
Pole	<b>3+PE</b>	Article number	<b>99 2442 21 04</b>



You can find the item description and assembly instruction on the next page.

## Technical data

### Common values

Connector Design	Female cable connector
Connector locking system	Screws 7/8" - 16 UN
Termination	Screwing
Wire gauge (mm)	1.50 mm <sup>2</sup>
Wire gauge (AWG)	16
Cable outlet	8 - 10 mm
Upper temperature	85 °C
Lower temperature	-25 °C

### Cable data

material housing	-
Insulation single lead	-
Single lead structure	-
Conductor resistance	-
Bending radius cable fixed	-
Bending radius cable movable	-

### Electrical values

Rated voltage	300 V
Rated impulse voltage	4000 V
Pollution degree	3
Overvoltage category	III
Material group	III
Rated current (40°C)	9 A
Volume resistivity	≤ 3 mΩ
EMV compliance	not shielded
Degree of protection	IP67
Mechanical operation	> 50 mating cycles

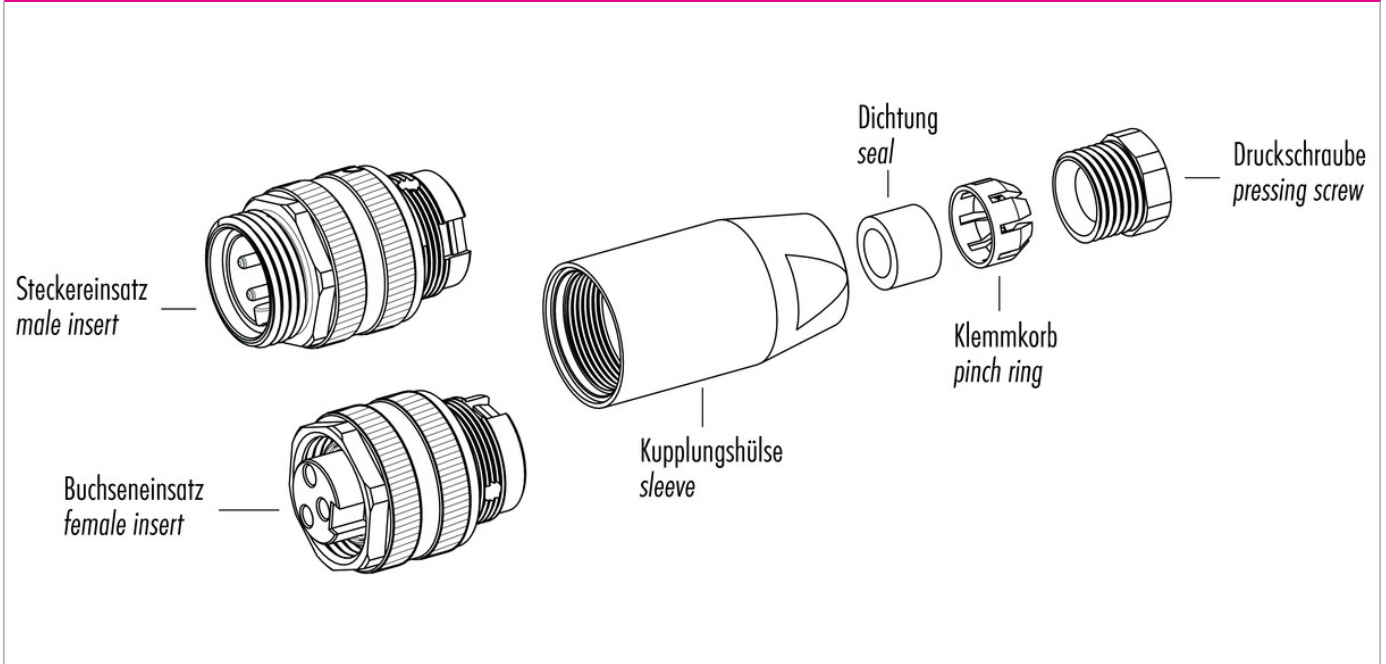
### Material

Material of contact	CuZn (Brass)
Contact plating	Au (Gold)
Material of contact body	PUR, PA (UL 94 HB)
Material of housing	PBT (UL 94 V-0)

cable outlet: 8 – 10 mm, Contacts: 3+PE, female cable connector with UL approval

Product	<b>Contacts: 3+PE, Female cable connector, cable outlet 8 - 10 mm, 12 - 14 mm, with UL approval</b>	Area	<b>7/8" Series 820</b>
Pole	<b>3+PE</b>	Article number	<b>99 2442 21 04</b>

Item description



Installation instructions / Mounting cutout

