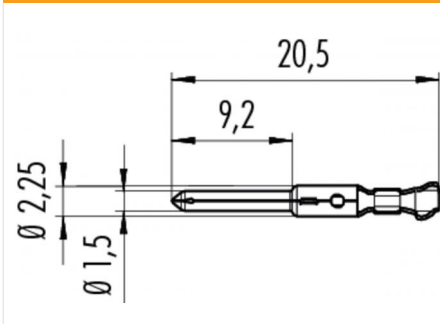


|                |   |
|----------------|---|
| Product        | Series 423/723/425, 581/680/682 - Pin contact strip 2000 each: Contact $\varnothing$ 1.5 mm, insulation $\varnothing$ 1.0 - 2.0 mm, cross-section: 0.14 - 0.25 mm <sup>2</sup> ; Conductor cross-section 0.14 mm <sup>2</sup> (AWG 26): Crimping dimensions (guide value): 0.9- 1 mm, crimping extraction force |
| Article number | 65 0799 085 02  |

## Illustration



## Scale drawing



## Matching products

- Cable plug connector with cable clamp, CRIMP connection, shieldable, cable outlet 4 - 6 mm
- Cable plug connector with cable clamp, CRIMP connection, shieldable, cable outlet 6 - 8 mm
- Male panel mount connector, crimp
- Male panel mount connector, crimp, screwed from front
- Cable plug connector with cable clamp, CRIMP connection, shieldable, PG 7, cable outlet 4 - 6 mm
- Cable plug connector with cable clamp, CRIMP connection, shieldable, PG 9, cable outlet 6 - 8 mm
- Cable plug connector, short version, CRIMP connection, cable outlet 4-8 mm
- Male angled connector, CRIMP connection, shieldable, PG 7, cable outlet 4-6 mm, with UL approval
- Male angled connector, CRIMP connection, shieldable, PG 9, cable outlet 6-8 mm, with UL approval
- Male panel mount connector, crimp
- Male panel mount connector, crimp, screwed from front
- male cable connector
- female cable connector
- male panel mount connector
- female panel mount connector