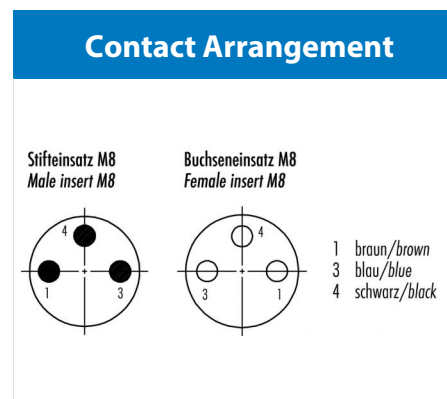
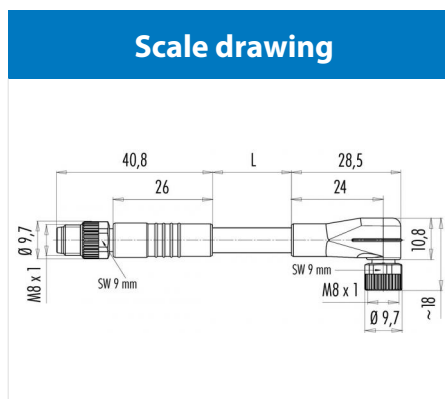


| | | | |
|---------|---|----------------|------------------------------------|
| Product | Contacts 3: Connecting cord, cable plug connector M8x1 - female angled connector with LED PNP NOC (normally open contact) M8x1 | Area | Connecting cords Series 765 |
| Pole | 3 | Article number | 79 5056 20 03 |



Technical data

Common values

| | |
|--------------------------|--------------------------------|
| Connector Design | Connecting cord |
| Connector locking system | screw |
| Termination | crimp, injection-moulded cable |
| Wire gauge (mm) | 0.25 mm ² |
| Wire gauge (AWG) | 24 |
| Upper temperature | 85 °C |
| Lower temperature | -25 °C |

Electrical values

| | |
|-----------------------|---------------------|
| Rated voltage | 30 V |
| Rated impulse voltage | 500 V |
| Pollution degree | 3 |
| Overvoltage category | II |
| Material group | II |
| Rated current (40°C) | 4 A |
| Volume resistivity | ≤ 3 mΩ |
| EMV compliance | nicht geschirmt |
| Degree of protection | IP67 |
| Mechanical operation | > 100 mating cycles |

Material

| | |
|--------------------------|--|
| Material of contact | Pin/ CuZn (brass), socket/ CuSn (bronze) |
| Contact plating | Au (Gold) |
| Material of contact body | PUR |
| Material of housing | PUR |

Contacts 3: Connecting cord, 2m, cable plug connector M8 x 1 - female angled connector with LED PNP NOC, M8 x 1, cable 3 x 0.25 PUR